



Kito Crosby Entertainment Group

PRODUCT GUIDE

ENTERTAINMENT HOISTS, CHAIN, AND LIFTING ACCESSORIES

WHERE RELIABILITY TAKES CENTER STAGE

After years of research and development, Kito Crosby has created the products listed in this catalog specifically for the entertainment industry. We offer fully customizable products that can easily handle theatrical equipment needs from small studios and nightclubs to massive arenas and stadiums.

These products are made with entertainment industry-specific features and will withstand the constant packing, rigging, and tearing down as they travel across the world, always making sure that the show goes on – no matter what.



Table of Contents

Entertainment Hoists

Kito TNER Krewmate Entertainment Chain Hoist

- Features and Benefits 4
- Technical Specifications & Dimensions 6

Kito TEM | TSEM Krewmate Mini Entertainment Chain Hoist

- Features and Benefits 10
- Technical Specifications & Dimensions 12

Additional Entertainment Hoists, Accessories & Options 16

Entertainment Hardware & Accessories

- Crosby S-209T Theatrical Crosby Shackles 18
- Crosby G-411 Standard Wire Rope Thimbles 19
- Crosby G-414 Extra Heavy Wire Rope Crosby Thimbles 20
- Crosby S-505 Swaging Sleeve 21
- Crosby HG-226 Eye & Eye Turnbuckle. 22
- Crosby HG-228 Jaw & Jaw Turnbuckle. 24
- Crosby A-341 Pear Link 26
- Crosby S-279/M-279 UNC Shoulder Type Machinery Eye Bolts 27
- Crosby G-450 Wire Rope Clips 28

Entertainment Chain

- Peerless 6/0 Studio Chain 28
- Peerless 7mm Entertainment Rigging Chain 30
- Peerless Trac Chain® 31



Krewmate TNER Entertainment Chain Hoist

Features and Benefits

The Kito Krewmate entertainment chain hoists were designed using the latest technology for handling stage and entertainment equipment. These high quality, low-headroom, full-featured hoists provide reliable performance for use in theatres, concert halls, arenas, studios and outdoor venues.



- 1 Completely sealed hoist body is suitable for both indoor and outdoor applications, including harsh environments. Gaskets throughout the hoist provide IP55 rating (please refer to Owner's Manual for more information). Sleek rounded aluminum body with no sharp edges.
- 2 Optional reversible black canvas chain container to meet BGV-D8 regulations. Designed with two secure attachment points.
- 3 Nickel-plated, DIN chain for superb durability, strength, and corrosion resistance. Optional black chain available. EN 818-17 standard.
- 4 Flexible, soft-grip handles for comfortable and easy handling.
- 5 360 degree swivelling top and bottom hooks with heavy-duty hook latches. Ball bearings produce smooth rotation.

Standards

Hoist exceeds stringent world standards; complies with German regulation BGV-D8. Standard configuration meets CE Declaration.



Pull-Rotor Motor Brake

World's most reliable entertainment hoist brake. Simple design. No brake coil to fail or brake disc to replace. 10 year hoist brake warranty.



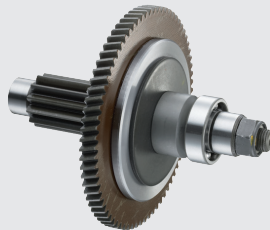
Quiet Load Sheave

Deep groove pockets fully support the load chain during operation. Reduces vibration and chain wear and provides a true vertical lift.



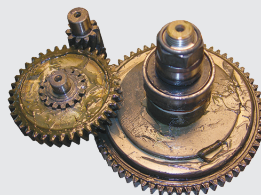
Long Life Friction Clutch

Carbon friction material provides consistent performance over a wide temperature range. Protects hoist from damage and prevents overwinding.



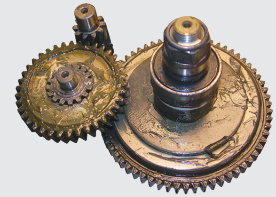
Heat Treated Helical and Spur Gears

Precision machined for long life. Grease lubrication results in quiet and smooth operation. No oil change required.



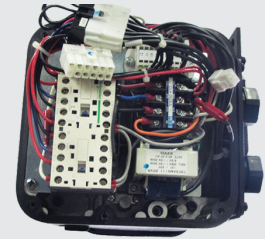
Grease-Packed Gearbox

For demanding entertainment applications.



Plug & Play Voltage Changer

Quickly change between 208/230V and 460V. Saves valuable time during setup and integration and minimizes prep time from venue to venue.



Low Profile Upper/Lower Limit Switches

No adjustment required. Protects hoist and provides maximum travel.



Unique Chain Guide

Provides quiet and smooth guiding of chain. Easily replaced without disassembly of the hoist. Durable, heavy cast iron construction.



Pendant (Pickle)

Optional two button pendant for up and down functions and can be customized with pendant cord at any length. IP65 rated. Emergency stop or black pendant also available.



Krewmate TNER Entertainment Chain Hoist

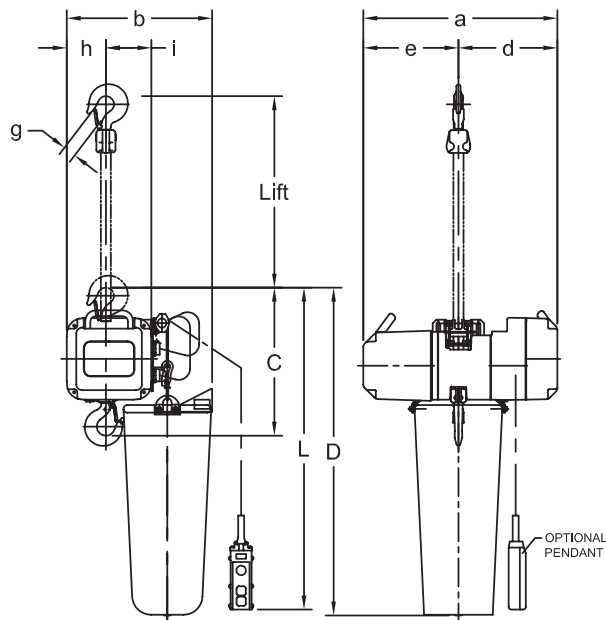
Technical Specifications & Dimensions



TNER SINGLE SPEED—IMPERIAL SPECIFICATIONS

Capacity (Tons)	Product Code	Standard Lift (ft)	Standard Push Button Cord L* (ft)	Lifting Speed (ft/min)	Lifting Motor 3 Phase 60 Hz			Load Chain Diameter (mm) x Chain Fall Lines	Net Weight for 10' Lift (lb)	Net Weight for 60' Lift (lb)	Weight for Additional 1 ft. Lift (lb)
					Output (Hp)	Rated Current (amps)					
						@208 – 230V	@460V				
1/2	TNER005L	10 or 60	2.5	16	0.65	3.7	1.9	6.3 x 1	77	104	0.57
1	TNER010L				1.3	5.6	2.8	8.0 x 1	99	146	0.93
	TNER010S			32	2.4	10.4	5.2		108	155	
2	TNER020L			8	1.3	5.6	2.8	8.0 x 2	126	217	1.9
	TNER020S	16	2.4	10.4	5.2	135	225				

*Pendant (pickle) is optional.



TNER010L

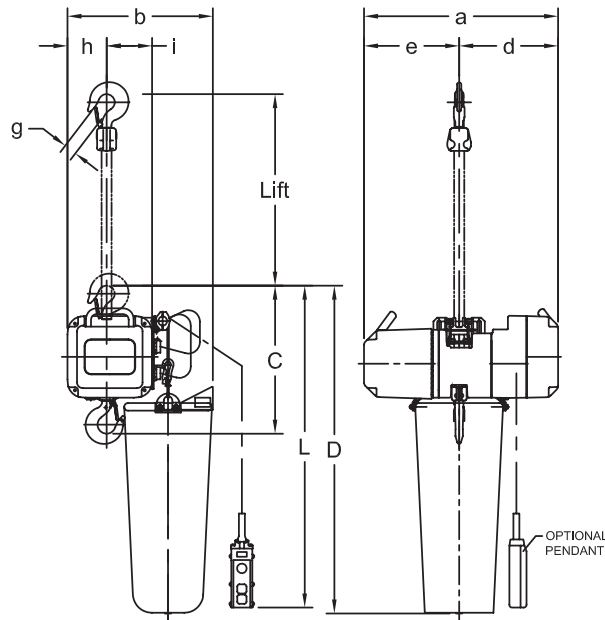
TNER SINGLE SPEED—IMPERIAL DIMENSIONS

Capacity (Tons)	Product Code	Headroom C	a	b	d	e	g	h	i	D
		in	in	in	in	in	in	in	in	in
1/2	TNER005L	13.2	18.7	14.2	9.6	9.2	0.9	3.9	4.0	35.4
1	TNER010L	16.1	20.0	15.0	10.2	9.8	1.2	4.1	4.7	37.0
	TNER010S				8.8	11.2				
2	TNER020L	22.8			10.2	9.8	1.5			48.8
	TNER020S									

TNER SINGLE SPEED—METRIC SPECIFICATIONS

Capacity (tonnes)	Product Code	Standard Lift (m)	Standard Push Button Cord L* (m)	Lifting Speed (m/min)	Lifting Motor 3 Phase 60 Hz			Load Chain Diameter (mm) x Chain Fall Lines	Net Weight for 10' Lift (kg)	Net Weight for 60' Lift (kg)	Weight for Additional 1 ft. Lift (kg)
					Output (kW)	Rated Current (amps)					
						@208 – 230V	@460V				
1/2	TNER005L	18.0	0.8	4.9	0.5	3.7	1.8	6.3 x 1	35	47	0.85
1	TNER010L				0.95	5.6	2.8	8.0 x 1	45	66	1.4
	TNER010S			9.8	1.8	10.4	5.2		49	70	
2	TNER020L			2.4	0.95	5.6	2.8	8.0 x 2	57	98	2.8
	TNER020S			16	1.8	10.4	5.2		61	102	

*Pendant (pickle) is optional.



TNER010L

TNER SINGLE SPEED—METRIC DIMENSIONS

Capacity (tonnes)	Product Code	Headroom C	a	b	d	e	g	h	i	D
		mm	mm	mm	mm	mm	mm	mm	mm	mm
1/2	TNER005L	335	476	360	243	233	24	98	102	900
1	TNER010L	410	509	381	260	249	31	103	120	940
	TNER010S				224	285				
2	TNER020L	580			260	249	38			1240
	TNER020S				224	285				

Krewmate TNER Entertainment Chain Hoist

Technical Specifications & Dimensions



TNER010L

Standard Hoist Specifications

Capacity Range

1/2 Ton (tonne) – 2 Ton (tonne)

Reconnectable Voltage

208-230/460-3-60

Control Voltage

110V

Duty Cycle

30 Minutes

Classification

ASME H3
JIS/ISO M3
FEM 1Bm

Conformance

UL1340/CSA 22.2
ANSI E 1.6-2
IGVW SQP2-2018
CE rated

Ratings

Hoist — IP55
UL/cUL (CSA) listed

Chain Container

Optional
Canvas

Standard Lift

60' (other lengths available)

Standard Pendant & Power Supply Cord

2.5' (longer lengths available)

Optional

Pendant (Pickle)
Pendant Cord
Power Supply Cord
Hubbell, 7-Pin or 14-Pin Connectors
Road Case
Black Load Chain
Bullard® and Shur-Loc® Hooks



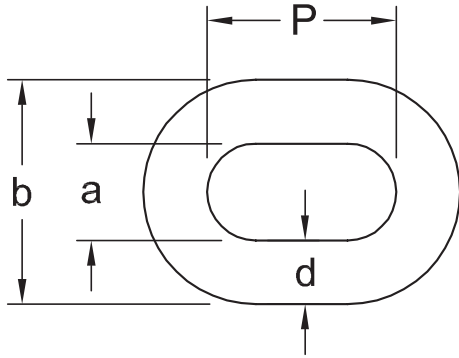
TNER010L
Inverted configuration

Reversible Hoist Configuration

Can be inverted to be used in a typical floor to hoist lifting application.

Available in all capacities.

Chain & Hook Dimensions

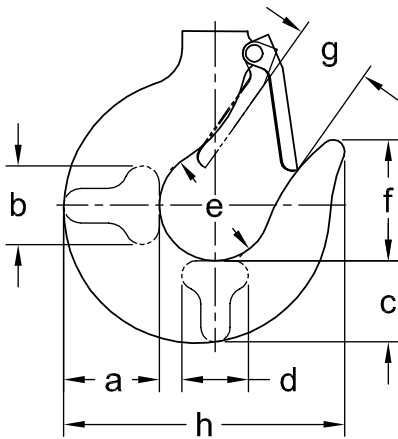


TNER CHAIN—IMPERIAL DIMENSIONS

Capacity (Tons)	Product Code	d	a	b	P
		in	in	in	in
1/2	TNER005L	0.25	0.31	0.87	0.75
1	TNER010L	0.31	0.39	1.10	0.94
	TNER010S	0.31	0.39	1.10	0.94
2	TNER020L	0.39	0.49	1.38	1.18
	TNER020S	0.39	0.49	1.38	1.18

TNER CHAIN—METRIC DIMENSIONS

Capacity (tonnes)	Product Code	d	a	b	P
		mm	mm	mm	mm
1/2	TNER005L	6.4	7.9	22.0	19.1
1	TNER010L	7.9	9.9	27.9	23.9
	TNER010S	7.9	9.9	27.9	23.9
2	TNER020L	9.9	12.4	35.1	30.0
	TNER020S	9.9	12.4	35.1	30.0



TNER HOOK —IMPERIAL DIMENSIONS

Capacity (Tons)	Product Code	Hook*	a	b	c	d	e	f	g	h
			in	in	in	in	in	in	in	in
1/2	TNER005L	T	1.1	0.7	0.9	0.7	1.4	1.5	1.1	3.5
		B	1.1	0.7	0.9	0.7	1.4	1.5	0.9	3.4
1	TNER010L, 010S	T & B	1.4	0.9	1.2	0.9	1.7	1.8	1.2	4.2
2	TNER020L, 020S	T & B	1.9	1.1	1.6	1.1	2.0	2.2	1.5	5.3

*T=Top hook, B=Bottom hook

TNER CHAIN—METRIC DIMENSIONS

Capacity (tonnes)	Product Code	Hook*	a	b	c	d	e	f	g	h
			mm	mm	mm	mm	mm	mm	mm	mm
1/2	TNER005L	T	28	18	23	18	36	38	28	89
		B	28	18	23	18	36	38	23	86
1	TNER010L, 010S	T & B	36	23	30	23	43	46	30	107
2	TNER020L, 020S	T & B	48	28	41	28	51	56	38	135

*T=Top hook, B=Bottom hook

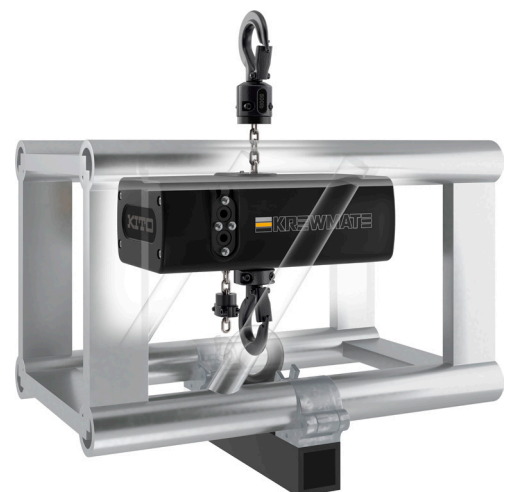
Krewmate TEM | TSEM Mini Entertainment Chain Hoist

Features and Benefits

The Kito Krewmate mini three phase entertainment chain hoists were designed with a state-of-the-art control system using solid state relay (SSR) technology and a microcontroller unit (MCU) to increase the longevity of the hoist and provide superior safety functions. These high quality, low-headroom, fully-featured motors provide reliable performance in theaters, concert halls, arenas and studios.



- 1** Compact and rugged die-cast aluminum body with no sharp edges. Superior ingress protection makes it suitable for both indoor and outdoor applications. IP65 rated. Conveniently fits inside 12 inch truss.
- 2** 360 degree swivelling top and bottom hooks with heavy-duty hook latches. Optional fixed hook available.
- 3** Nickel-plated, DIN chain for superb durability, strength and corrosion resistance. EN 818-17 standard.



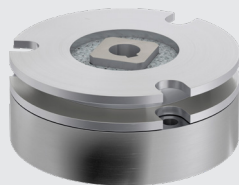
Standards

Hoist exceeds stringent world standards; complies with German regulation BGV-D8, US ASME/ESTA standards and is UL listed to UL1340/CSA 22.2. Certified to machinery and directive marked CE.



High Performance Motor Brake

Fast acting and durable current driven electromagnetic brake. 5 year warranty.



Friction Clutch

Rotor integrated friction clutch outside of the load path provides consistent performance over a wide temperature range.



Low Profile Upper/Lower Limit Switches

Protects the hoist from overwinding and offers exceptional headroom.



Unique Chain Guide

Discharges chain from the side of the hoist body preventing tangling when winding up slack chain.



Solid State Relay Board

No mechanical contacts for extended lifetime and microcontroller provides protection from fast reverse, phase loss & reversal (3ph), overcurrent, overtemperature, and overvoltage. Includes electronic overload limiter and an LED error indicator.



Grease-Packed Gearbox

For demanding entertainment applications.



Chain Container

Optional reversible black canvas chain container to meet BGV-D8 regulations. Designed with two secure attachment points.



Pendant (Pickle)

Optional two button pendant for up and down functions and can be customized with pendant cord at any length. IP65 rated.



Krewmate TEM | TSEM Mini Entertainment Chain Hoist

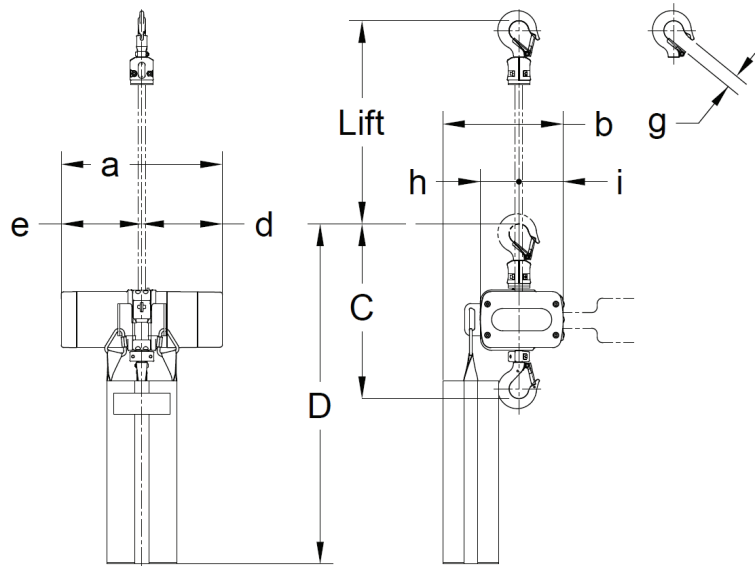
Technical Specifications & Dimensions

TEM THREE PHASE SINGLE SPEED— IMPERIAL SPECIFICATIONS

Capacity (lb)	Product Code	Standard Lift (ft)	Lifting Motor 3 Phase 60 Hz				Lifting Motor 3 Phase 50 Hz				Load Chain Diameter (mm) x Chain Fall Lines	Net Weight (lb)	Weight for Additional 1 ft. Lift (lb)
			Lifting Speed (ft/min)	Output (Hp)	Rated Current (amps)		Lifting Speed (ft/min)	Output (Hp)	Rated Current (amps)				
					@200 – 230V	@380 – 460V			@200 – 230V	@380 – 400V			
500	TEM003L	60	16	0.34	1.4	0.7	13	0.34	1.4	0.6	4.0 x 1	41.9	0.24
1000	TEM005C		8	0.34	1.4	0.7	6.5	0.34	1.4	0.6	4.0 x 2	58.4	0.48

TSEM SINGLE PHASE SINGLE SPEED—IMPERIAL SPECIFICATIONS

Capacity (lb)	Product Code	Standard Lift (ft)	Lifting Motor 3 Phase 60 Hz				Load Chain Diameter (mm) x Chain Fall Lines	Net Weight (lb)	Weight for Additional 1 ft. Lift (lb)
			Lifting Speed (ft/min)	Output (Hp)	Rated Current (amps)				
					@115 – 120V	@220 – 230V			
500	TSEM003L	60	12	0.22	4.6	2.3	4.0 x 1	41.9	0.24
1000	TSEM005C		6	0.22	4.6	2.3	4.0 x 2	58.4	0.48



TEM003L/TSEM003L

TEM/TSEM SINGLE SPEED—IMPERIAL DIMENSIONS

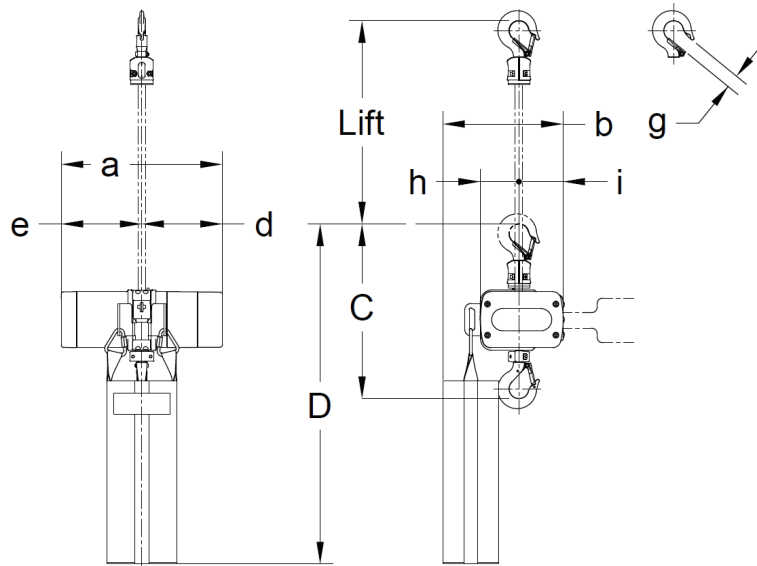
Capacity (lb)	Product Code	Headroom C	D	a	b	d	e	g	h	i
		in	in	in	in	in	in	in	in	in
500	TEM003L/TSEM003L	12.4	24.8	11.5	8.6	5.7	5.7	0.9	2.8	3.1
1000	TEM005C/TSEM005C	14.4	36.2	11.5	8.6	5.7	5.7	0.9	2.0	3.9

TEM THREE PHASE SINGLE SPEED— METRIC SPECIFICATIONS

Capacity (kg)	Product Code	Standard Lift (m)	Lifting Motor 3 Phase 60 Hz				Lifting Motor 3 Phase 50 Hz				Load Chain Diameter (mm) x Chain Fall Lines	Net Weight (kg)	Weight for Additional 1 ft. Lift (kg)
			Lifting Speed (m/min)	Output (kW)	Rated Current (amps)		Lifting Speed (m/min)	Output (kW)	Rated Current (amps)				
					@200-230V	@380-460V			@200-230V	@380-400V			
225	TEM003L	18	4.8	0.25	1.4	0.7	4	0.25	1.4	0.6	4.0 x 1	19	0.35
450	TEM005C		2.4	0.25	1.4	0.7	2	0.25	1.4	0.6	4.0 x 2	26.5	0.7

TSEM SINGLE PHASE SINGLE SPEED—METRIC SPECIFICATIONS

Capacity (kg)	Product Code	Standard Lift (m)	Lifting Motor 3 Phase 60 Hz				Load Chain Diameter (mm) x Chain Fall Lines	Net Weight (kg)	Weight for Additional 1 ft. Lift (kg)
			Lifting Speed (m/min)	Output (kW)	Rated Current (amps)				
					@115-120V	@220-230V			
225	TSEM003L	18	3.6	0.16	4.6	2.3	4.0 x 1	19	0.35
450	TSEM005C		1.8	0.16	4.6	2.3	4.0 x 2	26.5	0.7



TEM003L/TSEM003L

TEM/TSEM SINGLE SPEED—METRIC DIMENSIONS

Capacity (kg)	Product Code	Headroom C	D	a	b	d	e	g	h	i
		mm	mm	mm	mm	mm	mm	mm	mm	mm
250/225	TEM003L/TSEM003L	315	630	292	218	146	146	24	70	80
500/450	TEM005C/TSEM005C	366	920	292	218	146	146	24	50.5	99.5

Krewmate TEM | TSEM Mini Entertainment Chain Hoist

Technical Specifications & Dimensions



TEM003L/TSEM003L

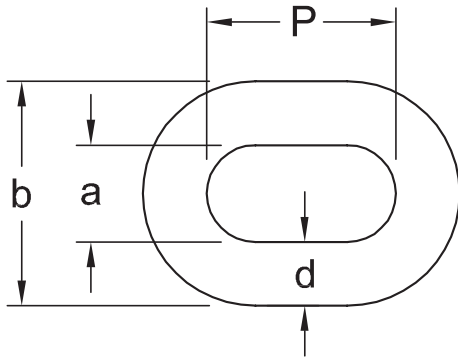
TEM Three Phase Standard Hoist Specifications

<p>Capacity Range 500–1000 lbs/250–500kg</p> <p>Standard Voltages (200-230)-3-60 200-3-50 (380-460)-3-60 (380-400)-3-50</p> <p>Control Voltage DC24V</p> <p>Duty Cycle 30 Minutes</p> <p>Classification ASME H4 JIS/ISO M5 FEM 2m</p> <p>Conformance UL1340/CSA 22.2 ANSI E 1.6-2 IGVW SQP2-2018 CE rated</p>	<p>Ratings Hoist - IP65</p> <p>Standard Lift 60' (other lengths available)</p> <p>Standard Pendant & Power Supply Cord 2.5' (longer lengths available)</p> <p>Operating conditions Recommended for -4° to +104° F and humidity of 85% or less</p> <p>Overload protection Standard Electronic through SSR board</p>	<p>Over-lifting protection Standard Friction clutch outside of load path Upper limit switch</p> <p>Optional Pendant (Pickle) - IP65 Pendant Cord Chain Container - Canvas Power Supply Cord Hubbell, 7-Pin or 14-Pin Connectors Fixed Hook Direct Control</p>
---	---	---

TSEM Single Phase Standard Hoist Specifications

<p>Capacity Range 500–1000 lbs/250–500 kg</p> <p>Standard Voltages (115-120)-1-60 (220-230)-1-60</p> <p>Control Voltage DC24V</p> <p>Duty Cycle 30 Minutes</p> <p>Classification ASME H4 JIS/ISO M5 FEM 2m</p> <p>Conformance UL1340/CSA 22.2 ANSI E 1.6-2 IGVW SQP2-2018 CE rated</p>	<p>Ratings Hoist - IP65</p> <p>Standard Lift 60' (other lengths available)</p> <p>Standard Pendant & Power Supply Cord 2.5' (longer lengths available)</p> <p>Operating conditions Recommended for +14° to +104° F and humidity of 85% or less</p> <p>Overload protection Standard Electronic through SSR board</p>	<p>Over-lifting protection Standard Friction clutch outside of load path Upper limit switch</p> <p>Optional Pendant (Pickle) - IP65 Pendant Cord Chain Container - Canvas Power Supply Cord Hubbell, 7-Pin or 14-Pin Connectors Fixed Hook</p>
--	--	--

Chain & Hook Dimensions

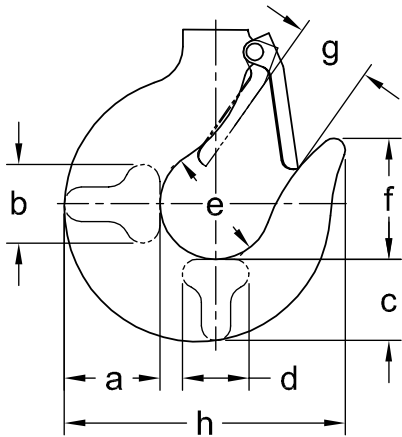


TEM/TSEM CHAIN — IMPERIAL DIMENSIONS

Capacity (lb)	Product Code	d	a	b	P
		in	in	in	in
500 to 1000	(All Models)	0.16	0.20	0.53	0.48

TEM/TSEM CHAIN — METRIC DIMENSIONS

Capacity (kg)	Product Code	d	a	b	P
		mm	mm	mm	mm
225 to 500	(All Models)	4.1	5.1	13.5	12.2



TEM/TSEM HOOK — IMPERIAL DIMENSIONS

Capacity (lb)	Product Code	Hook*	a	b	c	d	e	f	g	h
			in	in	in	in	in	in	in	in
500 to 1000	(All Models)	B & C	0.8	0.5	0.7	0.5	1.4	1.4	0.9	3.0

*B=body hook, C=chain hook

TEM/TSEM HOOK — METRIC DIMENSIONS

Capacity (kg)	Product Code	Hook*	a	b	c	d	e	f	g	h
			mm	mm	mm	mm	mm	mm	mm	mm
225 to 500	(All Models)	B & C	20	13	18	13	36	36	23	76

*B=body hook, C=chain hook

Additional Hoists & Accessories

TUBC Entertainment Universal Beam Clamps

Adjustable and efficient, cost effective method for most work holding and positioning applications.

Available with optional suspender for perpendicular mounting and for oversized hooks.

Available in 1–5 Ton (tonne) capacities.

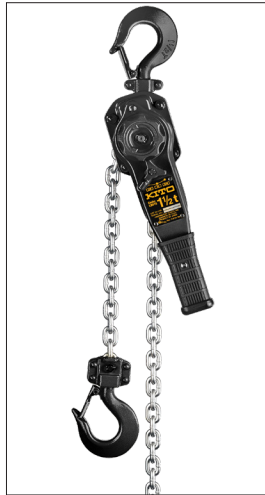


TUBC with optional suspender

LB Lever Hoist

Offers a low headroom, compact design that is perfect for use in tight quarters.

Available in 3/4–9 Ton (tonne) capacities.



CF Hand Chain Hoists

A practical alternative when power is not available.

Available in 1/2, 1 and 2 Ton (tonne) capacities.



LX Mini Lever Hoist

This unique puller fills a wide range of uses in entertainment applications.

Available in 1/4–1/2 Ton (tonne) capacities.



CX Mini Hand Chain Hoists

Lightweight and compact.

Available in 1/4 – 1 Ton (tonne) capacities.



Options

Road Cases

Kito Crosby Entertainment Group offers rugged road cases for easy transportation and motor storage. Two sizes are available to hold either 1, 2, or 4 motors in one case.

- Heavy duty recessed hardware
- 600 pound 4" polyurethane swivel casters
- Stackable up to 3 cases high



Pendant (Pickle)

A two button pendant is available for up and down functions. Pendant can be customized with pendant cord at any length.

- IP65 rated
- Emergency stop or black pendant also available



Pendant and Power Supply Cords with Hubbell Connectors

Hubbell Connectors for both power supply cord and push button cord are available for quick installation.

- Male and female ends



Control and Power Supply Cord with Pin Connector

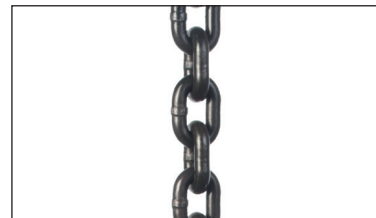
Socapex compatible extension for hoists and motors

- 7 or 14 pin available



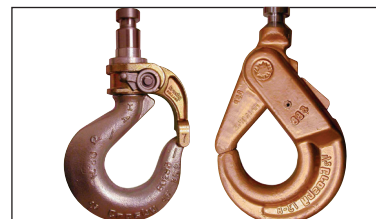
Black Chain (TNER Series)

Grade 80, High strength black chain for low visibility.



Bullard® and Shur-Loc® Hooks

These hooks offer a positive locking latch feature.



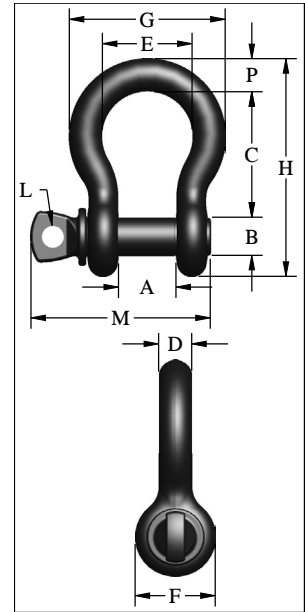
Crosby S-209T Theatrical Shackles

Features



S-209T Theatrical Shackle

- Flat black baked on powder coat finish.
- Forged, Quenched & Tempered, with alloy pins.
- Working Load Limit and Grade 6 permanently shown on every shackle.
- Fatigue rated to 20,000 cycles at 1-1/2 times the Working Load Limit.
- Industry leading 6 to 1 Design Factor.
- Screw pin anchor shackles meet the performance requirement of Federal Specification RR-C-271H, Type IVA, Grade A, Class 2, except for those provisions required of the contractor.
- Meets the performance requirements of EN 13889.
- Meets or exceeds all requirements of ASME B30.26 including identification, ductility, design factor, proof load and temperature requirements. Importantly, these shackles meet other critical performance requirements including fatigue life, impact properties and material traceability, not addressed by ASME B30.26.



S-209T Imperial Specifications & Dimensions

Nominal Size (in)	Working Load Limit (t)	Stock No.	Weight Each (lb)	Dimensions (in)												
				A	Tol. A ±	B	C	Tol. C ±	D	E	F	G	H	L	M	P
3/8	1	1018706	.31	.66	.06	.44	1.44	.13	.38	1.03	.91	1.78	2.49	.25	2.02	.38
7/16	1 1/2	1018724	.38	.75	.06	.50	1.69	.13	.40	1.16	1.06	2.03	2.91	.31	2.37	.44
1/2	2	1018742	.72	.81	.06	.63	.188	.13	.50	1.31	1.19	2.31	3.28	.38	2.69	.50
5/8	3 1/4	1018760	1.37	1.06	.06	.75	2.38	.13	.63	1.69	1.50	2.94	4.19	.44	3.34	.69
3/4	4 3/4	1018778	2.35	1.25	.06	.88	2.81	.25	.75	2.00	1.81	3.50	4.97	.50	3.97	.81

S-209T Metric Specifications & Dimensions

Nominal Size (in)	Working Load Limit (t)	Stock No.	Weight Each (kg)	Dimensions (mm)												
				A	A	B	C	C	D	E	F	G	H	L	M	P
3/8	1	1018706	.14	17	1.5	11	37	3.3	10	26	23	45	63	6	52	10
7/16	1 1/2	1018724	.17	19	1.5	13	43	3.3	11	30	27	52	74	8	61	11
1/2	2	1018742	.33	21	1.5	16	48	3.3	13	33	30	59	84	10	69	13
5/8	3 1/4	1018760	.62	27	1.5	19	61	6.4	16	43	38	75	106	11	85	18
3/4	4 3/4	1018778	1.07	32	1.5	22	72	6.4	19	51	46	89	126	13	101	21

Maximum Proof Load is 2.0 times the Working Load Limit.



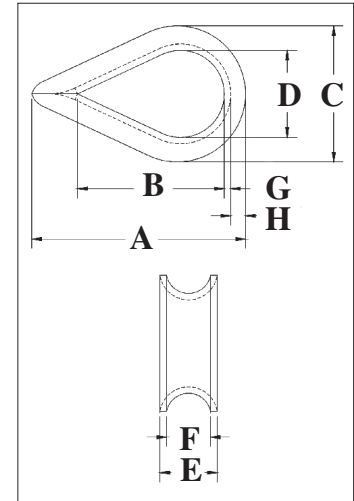
Crosby G-411 Standard Wire Rope Thimbles



G-411 Standard Wire Rope Thimble

Features

- Hot-dip galvanized steel.
- The standard choice for light duty loading conditions and applications.
- Meets the performance requirements of Federal Specification FF-T-276b Type II, except for those provisions required of the contractor.



G-411 Imperial Specifications & Dimensions

Rope Diameter (in)	Stock No	Weight Per 100 (lb)	Dimensions (in)							
			A	B	C	D	E	F	G	H
1/8	1037256	3.50	1.94	1.31	1.06	.69	.25	.16	.05	.13
3/16	1037274	3.50	1.94	1.31	1.06	.69	.31	.22	.05	.13
1/4	1037292	3.50	1.94	1.31	1.06	.69	.38	.28	.05	.13
5/16	1037318	4.00	2.13	1.50	1.25	.81	.44	.34	.05	.13
3/8	1037336	6.70	2.38	1.63	1.47	.94	.53	.41	.06	.16
1/2	1037354	12.50	2.75	1.88	1.75	1.13	.69	.53	.08	.19
5/8	1037372	34.50	3.50	2.25	2.38	1.38	.91	.66	.13	.34
3/4	1037390	47.10	3.75	2.50	2.69	1.63	1.08	.78	.14	.34
7/8	1037416	84.60	5.00	3.50	3.19	1.88	1.27	.94	.16	.44
1	1037434	97.50	5.69	4.25	3.75	2.50	1.39	1.06	.16	.41
1-1/8 - 1-1/4	1037452	175.00	6.25	4.50	4.31	2.75	1.75	1.31	.22	.50

G-411 Metric Specifications & Dimensions

Rope Diameter (mm)	Stock No	Weight Per 100 (kg)	Dimensions (mm)							
			A	B	C	D	E	F	G	H
3-4	1037256	1.59	49.3	33.3	26.9	17.5	6.35	4.05	1.25	3.30
5	1037274	1.59	49.3	33.3	26.9	17.5	7.85	5.60	1.25	3.30
6-7	1037292	1.59	49.3	33.3	26.9	17.5	9.65	7.10	1.25	3.30
8	1037318	1.81	54.0	38.1	31.8	20.6	11.2	8.65	1.25	3.30
9-10	1037336	3.04	60.5	41.4	37.3	23.9	13.5	10.4	1.50	4.06
11-13	1037354	5.67	70.0	47.8	44.5	28.7	17.5	13.5	2.05	4.83
16	1037372	15.7	89.0	57.0	60.5	35.1	23.1	16.8	3.30	8.64
18-20	1037390	21.4	95.5	63.5	68.5	41.4	27.4	19.8	3.55	8.64
22	1037416	38.4	127	89.0	81.0	47.8	32.3	23.9	4.05	11.2
24-26	1037434	44.2	145	108	95.5	63.5	35.3	26.9	4.05	10.4
28-32	1037452	79	159	114	109	70.0	44.5	33.3	5.60	12.7

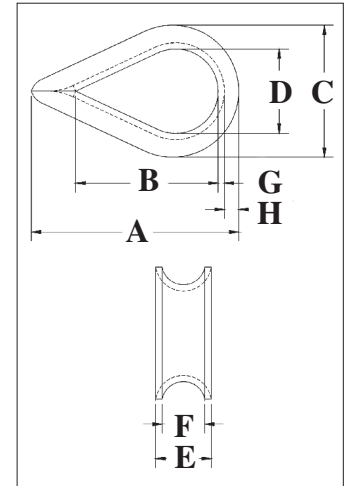
Crosby G-414 Extra Heavy Wire Rope Thimbles



G-414 Extra Heavy Wire Rope Thimble

Features

- Hot-dip galvanized steel.
- The standard choice for light duty loading conditions and applications.
- Meets the performance requirements of Federal Specification FF-T-276b Type II, except for those provisions required of the contractor.



G-414 Imperial Specifications & Dimensions

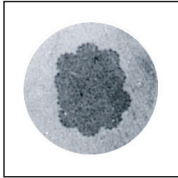
Rope Diameter (in)	Stock No.		Weight Per 100 (lb)	Dimensions (in)							
	G-414 Stock No	SS-414 Stainless		A	B	C	D	E	F	G	H
1/4	1037639	1037960	7	2.19	1.62	1.50	.88	.41	.28	.06	.25
5/16	1037657	1037988	14	2.50	1.88	1.81	1.06	.50	.34	.08	.30
3/8	1037675	1038004	23	2.88	2.12	2.12	1.12	.63	.41	.11	.39
7/16	1037693	-	37	3.25	2.38	2.38	1.25	.72	.47	.12	.45
1/2 - 9/16	1037719	1038022	50	3.62	2.75	2.75	1.50	.89	.59	.15	.48
5/8	1037755	1038040	82	4.25	3.25	3.12	1.75	1.00	.66	.16	.53
3/4	1037773	1038068	157	5.00	3.75	3.81	2.00	1.22	.78	.22	.69
7/8	1037791	-	190	5.50	4.25	4.25	2.25	1.38	.94	.22	.78
1	1037817	-	280	6.12	4.50	4.75	2.50	1.56	1.06	.25	.88
1-1/8 - 1-1/4	1037835	-	-	7.00	5.12	5.88	2.88	1.88	1.31	.25	1.25
1-1/4 - 1-3/8	1037853	-	830	9.08	6.50	6.81	3.50	2.25	1.44	.37	1.29
1-3/8 - 1-1/2	1037871	-	1250	9.00	6.25	7.12	3.50	2.62	1.56	.50	1.31
1-5/8	1037899	-	-	11.25	8.00	8.12	4.00	3.00	1.72	.50	1.38
1-3/4	1037915	-	1860	12.19	9.00	8.50	4.50	3.06	1.84	.50	1.50
1-7/8 - 2	1037933	-	2780	15.12	12.00	10.38	6.00	3.38	2.09	.50	1.69
2-1/4	1037951	-	-	17.50	14.00	11.88	7.00	3.88	2.38	.62	1.82

G-414 Metric Specifications & Dimensions

Rope Diameter (mm)	Stock No.		Weight Per 100 (kg)	Dimensions (mm)							
	G-414 Stock No	SS-414 Stainless		A	B	C	D	E	F	G	H
6-7	1037639	1037960	2.95	55.5	41.4	38.1	22.4	11.2	7.10	1.50	5.85
8	1037657	1037988	5.35	63.5	47.8	46.0	26.9	14.0	8.65	2.05	7.10
9-10	1037675	1038004	9.80	73.0	54.0	54.0	28.7	16.8	10.4	2.80	8.65
11-12	1037693	-	15.7	82.5	60.5	60.5	31.8	18.8	11.9	3.30	9.65
13-15	1037719	1038022	23.1	92.0	70.0	70.0	38.1	23.4	13.5	3.55	10.4
16	1037755	1038040	34.3	108	82.5	79.5	44.5	26.2	16.8	4.05	12.7
18-20	1037773	1038068	72	127	95.5	96.5	51.0	33.0	19.8	5.60	16.8
22	1037791	-	81	140	108	108	57.0	37.3	23.9	5.60	19.1
24-26	1037817	-	142	156	114	125	63.5	44.5	26.9	6.35	22.4
28-32	1037835	-	181	178	130	149	73.0	47.8	33.3	6.35	28.7
32-35	1037853	-	402	230	165	173	89.0	57.2	36.6	9.65	28.7
35-38	1037871	-	587	229	159	181	89.0	66.5	39.6	12.7	28.7
40	1037899	-	771	286	203	207	102	76.2	43.7	12.7	35.1
44	1037915	-	805	310	229	216	114	77.7	46.7	12.7	33.3
48-52	1037933	-	1259	384	305	264	152	85.9	53.0	12.7	38.1
56	1037951	-	1792	435	356	302	178	98.6	60.5	16.0	41.4

Crosby S-505 Swaging Sleeve

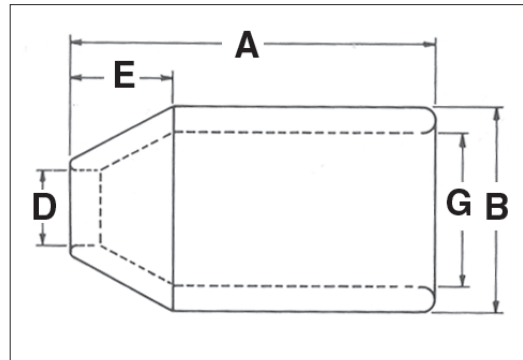
Features



- For flemish eye wire rope splicing.
- Designed for low temperature toughness.
- Resists cracking when swaged (equals or exceeds stainless steel sleeves).
- Special processed low carbon steel.
- COLD TUFF® for better swageability.
- Can be stamped for identification after swaging without concern for fractures when following these directions:
- Use round corner stamps to a maximum depth of 1.38mm.
- The area for stamping should be on the side of the sleeve in the plane of the sling eye, and no less than 7mm from either end of the sleeve.
- Standard steel sleeve terminations have efficiency ratings as follows based on the catalog strength of wire rope.
- Do not use on wire rope size other than size shown.

S-505 Swaging Sleeve

S-505 Termination Efficiency		
Size (mm)	Type of Wire Rope *	
	IWRC	FC
6 - 26	96%	93%
28 - 52	92%	89%
56 and Larger	90%	87%



S-505 Intermediate Metric Die Chart

Sleeve and Swaging Die Requirements for Intermediate Sizes of Metric Wire Rope							
S-505 Stock No.	S-505 Sleeve Size	Metric Wire Rope Size (mm)	Standard Round Dies				Maximum After Swage Dimension (mm)
			1st Stage Die		2nd Stage Die		
1041143	1/2	12	1190881	5 x 7 Double Cavity	—		25.1
1041223	7/8	20	1190901	5 x 7 Double Cavity	—		41.1
1041241	1	24	1190921	5 x 7 Double Cavity	—		47.8
1041321	1-1/2	36	1192649	5 x 7	1190941	5 x 7	66.8
1041349	1-3/4	40	1192685	5 x 7	1190961	5 x 7	74.9
1041367	2	48	1192729	5 x 7	1190971	5 x 7	87.9
1041401	2-1/2	60	1192809	5 x 7	1190981	5 x 7	111
1041401	2-1/2	60	1191061	6 x 12	1190991	6 x 12	111
1041447	3	72	1193201	6 x 12	1191001	6 x 12	122
1041483	3-1/2	80	1193247	6 x 12	1191101	6 x 12	138
1041483	3-1/2	84	1193247	6 x 12	1191121	6 x 12	141

QUIC-PASS® system not available for these metric rope sizes. Note: Fittings designed only to be used on exact sizes listed.

** NOTE: S-505 Standard Sleeves are recommended for use with 6 x 19 or 6 x 37, IPS or XIP (EIP), XXIP (EEIP), RRL, FC or IWRC wire rope. Before using any National Swage fitting with any other type lay, construction or grade of wire rope, it is recommended that the termination be destructive and documented to prove the adequacy of the assembly to be manufactured.

Crosby HG-228 Jaw & Jaw Turnbuckles



Features

- End fittings are Quenched & Tempered or normalized, bodies heat-treated by normalizing.
- Hot-dip galvanized steel.
- TURNBUCKLES RECOMMENDED FOR STRAIGHT OR IN-LINE PULL ONLY.
- Forged jaw ends are fitted with bolts and nuts for 1/4" through 5/8", and pins and cotters on 3/4" through 2-3/4" sizes.
- Modified UNJ thread on end fittings for improved fatigue properties.
- Body has UNC threads.
- Lock nuts available for all sizes.
- Fatigue rated to 20,000 cycles at 1-1/2 times the Working Load Limit.
- Meets or exceeds all requirements of ASME B30.26 including identification, ductility, design factor, proof load and temperature requirements. Importantly, these turnbuckles meet other critical performance requirements including fatigue life, impact properties and material traceability, not addressed by ASME B30.26.
- Meets the performance requirements of Federal Specifications FF-T-791b, Type 1 Form 1 - CLASS 7, and ASTM F-1145, except for those provisions required of the contractor. For additional information, see Warnings & Applications.

HG-228 Jaw & Jaw Turnbuckle

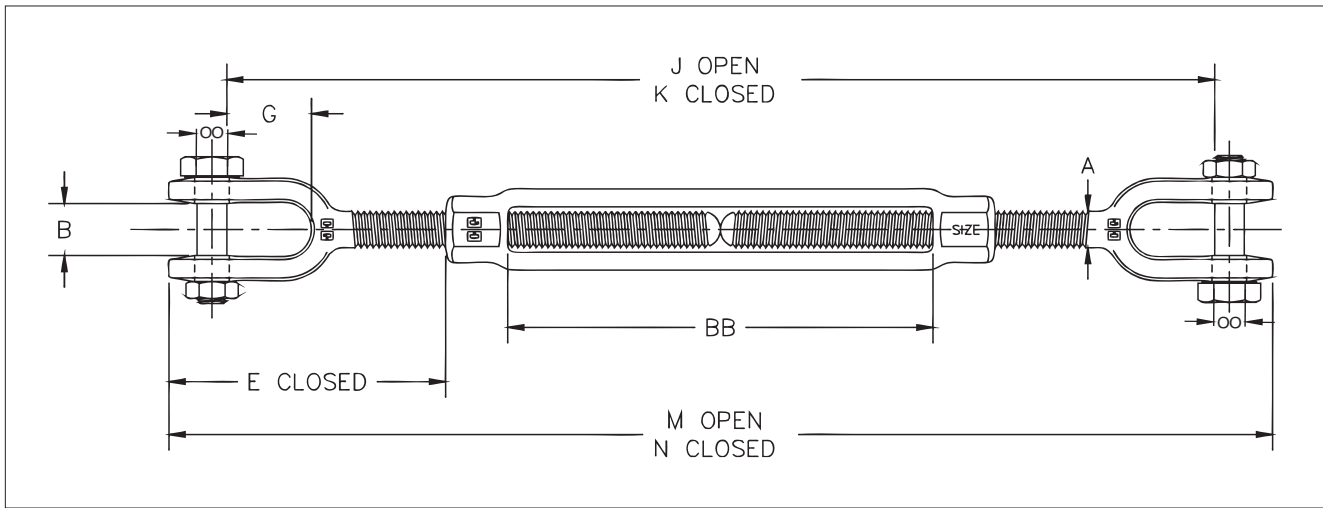


HG-228 Imperial Specifications & Dimensions

APPLICATION AND WARNING INFORMATION
CROSBY CATALOG

Thread Dia. & Take Up (in)	Stock No.	Working Load Limit (lb)	Weight Each (lb)	Dimensions (in)									Replacement Pin Kit Stock No.
				00	B	E Closed	G	J Open	K Closed	M Open	N Closed	BB	
* 5/16 x 4-1/2	1032518	800	.56	.25	.50	2.02	.87	13.07	8.57	14.12	9.62	4.58	1089654
* 3/8 x 6	1032536	1200	.85	.31	.53	2.11	.85	16.25	10.25	17.50	11.50	6.10	1089672
1/2 x 6	1032554	2200	1.82	.37	.64	3.22	1.07	18.65	12.65	20.14	14.14	6.03	1089690
1/2 x 9	1032572	2200	2.29	.37	.64	3.20	1.07	24.94	15.94	26.43	17.43	9.36	1089690
1/2 x 12	1032590	2200	2.71	.37	.64	3.20	1.07	30.94	18.94	32.43	20.43	12.36	1089690
5/8 x 6	1032616	3500	3.21	.50	.79	3.90	1.32	19.74	13.74	21.82	15.82	6.03	1089716
5/8 x 9	1032634	3500	3.95	.50	.79	3.89	1.32	26.08	17.08	28.16	19.16	9.39	1089716
5/8 x 12	1032652	3500	4.58	.50	.79	3.89	1.32	32.08	20.08	34.16	22.16	12.39	1089716
3/4 x 6	1032670	5200	4.80	.63	.97	4.71	1.52	21.09	15.09	23.68	17.68	6.13	1097770
3/4 x 9	1032698	5200	5.85	.63	.97	4.68	1.52	27.49	18.49	30.08	21.08	9.59	1097770
3/4 x 12	1032714	5200	6.72	.63	.97	4.68	1.52	33.49	21.49	36.08	24.08	12.59	1097770
3/4 x 18	1032732	5200	8.45	.63	.97	4.71	1.52	45.49	27.49	48.08	30.08	18.53	1097770
7/8 x 12	1032750	7200	9.37	.75	1.16	5.50	1.77	34.65	22.65	37.62	25.62	12.16	1097789
7/8 x 18	1032778	7200	11.8	.75	1.16	5.50	1.77	47.12	29.12	50.09	32.09	18.63	1097789
1 x 6	1032796	10000	10.4	.88	1.34	6.09	2.05	23.82	17.82	27.18	21.18	6.18	1097761
1 x 12	1032812	10000	13.8	.88	1.34	6.09	2.05	35.82	23.82	39.18	27.18	12.18	1097761
1 x 18	1032830	10000	17.1	.88	1.34	6.09	2.05	47.82	29.82	51.18	33.18	18.18	1097761
1 x 24	1032858	10000	21.0	.88	1.34	6.06	2.05	60.42	36.42	63.78	39.78	24.84	1097761
1-1/4 x 12	1032876	15200	21.9	1.13	1.84	8.09	2.82	39.37	27.37	43.58	31.58	12.06	1097798
1-1/4 x 18	1032894	15200	25.9	1.13	1.84	8.09	2.82	51.37	33.37	55.58	37.58	18.06	1097798
1-1/4 x 24	1032910	15200	29.8	1.13	1.84	8.09	2.82	63.93	39.93	68.14	44.14	24.62	1097798
1-1/2 x 12	1032938	21400	32.6	1.38	2.06	8.93	2.81	40.76	28.76	45.68	33.68	12.32	1097805
1-1/2 x 18	1032956	21400	38.0	1.38	2.06	8.93	2.81	52.76	34.76	57.68	39.68	18.32	1097805
1-1/2 x 24	1032974	21400	43.5	1.38	2.06	8.93	2.81	65.38	41.38	70.30	46.30	24.94	1097805
1-3/4 x 18	1033018	28000	53.5	1.63	2.60	9.36	3.35	53.35	35.35	59.16	41.16	18.37	1097814
1-3/4 x 24	1033036	28000	61.1	1.63	2.60	9.36	3.35	65.35	41.35	71.16	47.16	24.37	1097814
2 x 24	1033054	37000	96.3	2.00	2.62	11.80	3.74	69.64	45.64	76.72	52.72	24.48	1097823
2-1/2 x 24	1033072	60000	167	2.25	3.06	13.26	4.44	72.97	48.97	82.18	58.18	24.60	1097832
2-3/4 x 24	1033090	75000	199	2.75	3.69	14.92	4.19	74.75	50.75	85.50	61.50	24.65	1087674

5:1 Design Factor. Proof Load is 2.5 times the Working Load Limit. *Mechanical galvanized



APPLICATION AND WARNING INFORMATION
CROSBY CATALOG

HG-228 Metric Specifications & Dimensions

Thread Dia. & Take Up (in)	Stock No.	Working Load Limit (t)	Weight Each (kg)	Dimensions (mm)									Replacement Pin Kit Stock No.
				00	B	E Closed	G	J Open	K Closed	M Open	N Closed	BB	
* 5/16 x 4-1/2	1032518	.36	.25	6.35	12.7	51.2	22.0	332	218	359	244	116	1089654
* 3/8 x 6	1032536	.54	.39	7.87	13.5	53.5	21.5	413	260	445	292	155	1089672
1/2 x 6	1032554	1.00	.83	9.40	16.3	81.8	27.1	474	321	512	359	153	1089690
1/2 x 9	1032572	1.00	1.04	9.40	16.3	81.3	27.1	633	405	671	443	238	1089690
1/2 x 12	1032590	1.00	1.23	9.40	16.3	81.3	27.1	786	481	824	519	314	1089690
5/8 x 6	1032616	1.59	1.46	12.7	20.1	99.1	33.5	501	349	554	402	153	1089716
5/8 x 9	1032634	1.59	1.79	12.7	20.1	98.8	33.5	662	434	715	487	239	1089716
5/8 x 12	1032652	1.59	2.08	12.7	20.1	98.8	33.5	815	510	868	563	315	1089716
3/4 x 6	1032670	2.36	2.18	16.0	24.6	120	38.5	536	383	601	449	156	1097770
3/4 x 9	1032698	2.36	2.65	16.0	24.6	119	38.5	698	470	764	535	244	1097770
3/4 x 12	1032714	2.36	3.05	16.0	24.6	119	38.5	851	546	916	612	320	1097770
3/4 x 18	1032732	2.36	3.83	16.0	24.6	120	38.5	1155	698	1221	764	471	1097770
7/8 x 12	1032750	3.27	4.25	19.1	29.5	140	44.8	880	575	956	651	309	1097789
7/8 x 18	1032778	3.27	5.34	19.1	29.5	140	44.8	1197	740	1272	815	473	1097789
1 x 6	1032796	4.54	4.74	22.4	34.0	155	52.1	605	453	690	538	157	1097761
1 x 12	1032812	4.54	6.25	22.4	34.0	155	52.1	910	605	995	690	309	1097761
1 x 18	1032830	4.54	7.77	22.4	34.0	155	52.1	1215	757	1300	843	462	1097761
1 x 24	1032858	4.54	9.51	22.4	34.0	154	52.1	1535	925	1620	1010	631	1097761
1-1/4 x 12	1032876	6.89	9.94	28.7	46.7	205	71.5	1000	695	1107	802	306	1097798
1-1/4 x 18	1032894	6.89	11.7	28.7	46.7	205	71.5	1305	848	1412	955	459	1097798
1-1/4 x 24	1032910	6.89	13.5	28.7	46.7	205	71.5	1624	1014	1731	1121	625	1097798
1-1/2 x 12	1032938	9.71	14.8	35.1	52.3	227	71.4	1035	731	1160	855	313	1097805
1-1/2 x 18	1032956	9.71	17.2	35.1	52.3	227	71.4	1340	883	1465	1008	465	1097805
1-1/2 x 24	1032974	9.71	19.7	35.1	52.3	227	71.4	1661	1051	1786	1176	633	1097805
1-3/4 x 18	1033018	12.7	24.3	41.4	66.0	238	85.0	1355	898	1503	1045	467	1097814
1-3/4 x 24	1033036	12.7	27.7	41.4	66.0	238	85.0	1660	1050	1807	1198	619	1097814
2 x 24	1033054	16.8	43.7	50.8	66.5	300	95.0	1769	1159	1949	1339	622	1097823
2-1/2 x 24	1033072	27.2	75.9	57.2	77.7	337	113	1853	1244	2087	1478	625	1097832
2-3/4 x 24	1033090	34.0	90.1	69.9	93.7	379	106	1899	1289	2172	1562	626	1087674

5:1 Design Factor. Proof Load is 2.5 times the Working Load Limit. *Mechanical galvanized

Crosby HG-226 Eye & Eye Turnbuckles

Features



- End fittings are Quenched & Tempered or normalized, bodies heat-treated by normalizing.
- Hot-dip galvanized steel.
- Turnbuckle eyes are forged elongated, by design, to maximize easy attachment in system and minimize stress in the eye. For turnbuckle sizes 6 mm through 64 mm, a shackle one size smaller can be reeved through eye.
- Modified UNJ thread on end fittings for improved fatigue properties. Body has UNC threads.
- TURNBUCKLES RECOMMENDED FOR STRAIGHT OR IN-LINE PULL ONLY.
- Lock nuts available for all sizes.
- Fatigue rated to 20,000 cycles at 1-1/2 times the Working Load Limit.
- Meets or exceeds all requirements of ASME B30.26 including identification, ductility, design factor, proof load, and temperature requirements. Importantly, these turnbuckles meet other critical performance requirements including fatigue life, impact properties, and material traceability, not addressed by ASME B30.26.
- Meets the performance requirements of Federal Specifications FF-T-791b, Type 1 Form 1 - CLASS 4, and ASTM F-1145, except for those provisions required of the contractor. For additional information, see the warnings and applications section.

HG-226 Eye & Eye Turnbuckle

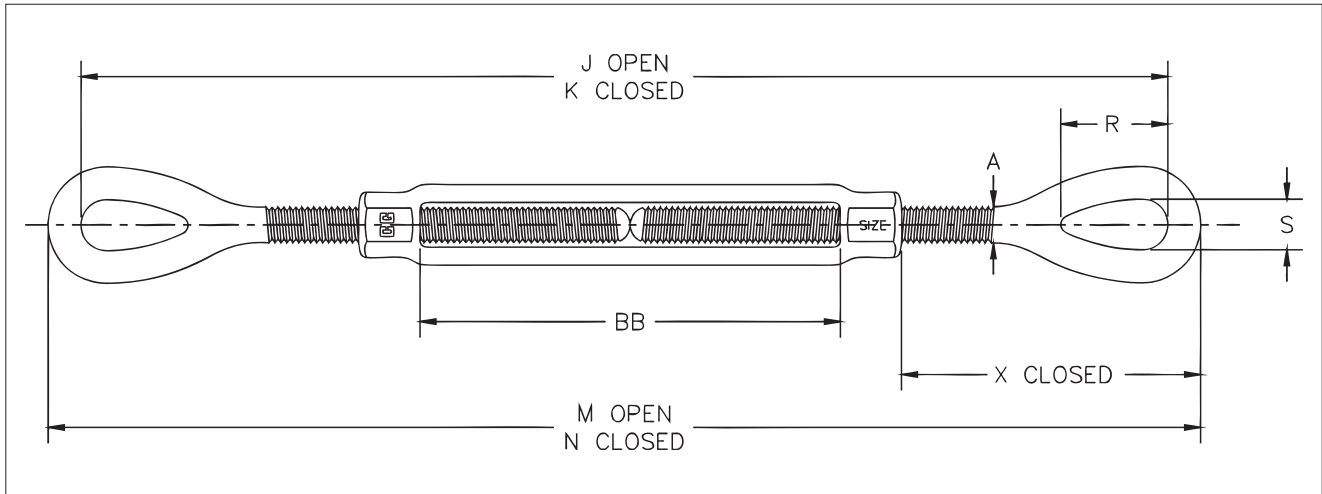
Fatigue Rated

HG-226 Imperial Specifications & Dimensions

APPLICATION AND WARNING INFORMATION
CROSBY CATALOG

Thread Dia. & Take Up (in)	Stock No.	Working Load Limit (lb)	Weight Each (lb)	Dimensions (in)								
				A	J Open	K Closed	M Open	N Closed	R	S	X Closed	BB
* 5/16 x 4-1/2	1031270	800	.48	.31	13.92	9.42	14.48	9.98	.95	.44	2.20	4.58
* 3/8 x 6	1031298	1200	.75	.38	17.56	11.56	18.24	12.24	1.13	.53	2.48	6.10
1/2 x 6	1031314	2200	1.72	.50	19.94	13.94	20.82	14.82	1.41	.71	3.56	6.03
1/2 x 12	1031350	2200	2.63	.50	32.23	20.23	33.11	21.11	1.41	.71	3.54	12.36
5/8 x 6	1031378	3500	2.75	.63	21.72	15.72	22.72	16.72	1.80	.88	4.35	6.03
5/8 x 12	1031412	3500	4.12	.63	34.06	22.06	35.06	23.06	1.80	.88	4.34	12.39
3/4 x 6	1031430	5200	4.22	.75	23.24	17.24	24.50	18.50	2.09	1.00	5.12	6.13
3/4 x 12	1031476	5200	6.12	.75	35.64	23.64	36.90	24.90	2.09	1.00	5.09	12.59
3/4 x 18	1031494	5200	7.83	.75	47.64	29.64	48.90	30.90	2.09	1.00	5.12	18.53
7/8 x 12	1031519	7200	8.83	.88	36.70	24.70	38.20	26.20	2.38	1.25	5.79	12.16
7/8 x 18	1031537	7200	11.5	.88	49.17	31.17	50.67	32.67	2.38	1.25	5.79	18.63
1 x 6	1031555	10000	9.62	1.00	26.24	20.24	28.00	22.00	3.00	1.43	6.50	6.18
1 x 12	1031573	10000	13.0	1.00	38.24	26.24	40.00	28.00	3.00	1.43	6.50	12.18
1 x 18	1031591	10000	16.3	1.00	50.24	32.24	52.00	34.00	3.00	1.43	6.50	18.18
1 x 24	1031617	10000	20.2	1.00	62.84	38.84	64.60	40.60	3.00	1.43	6.47	24.84
1-1/4 x 12	1031635	15200	19.9	1.25	42.14	30.14	44.38	32.38	3.59	1.82	8.49	12.06
1-1/4 x 18	1031653	15200	23.8	1.25	54.14	36.14	56.38	38.38	3.59	1.82	8.49	18.06
1-1/4 x 24	1031671	15200	27.8	1.25	66.70	42.70	68.94	44.94	3.59	1.82	8.49	24.62
1-1/2 x 12	1031699	21400	28.7	1.50	44.24	32.24	46.74	34.74	4.09	2.12	9.46	12.32
1-1/2 x 18	1031715	21400	34.1	1.50	56.24	38.24	58.74	40.74	4.09	2.12	9.46	18.32
1-1/2 x 24	1031733	21400	39.6	1.50	68.86	44.86	71.36	47.36	4.09	2.12	9.46	24.94
1-3/4 x 18	1031779	28000	50.7	1.75	57.38	39.38	60.38	42.38	4.65	2.38	9.97	18.37
1-3/4 x 24	1031797	28000	58.2	1.75	69.38	45.38	72.38	48.38	4.65	2.38	9.97	24.37
2 x 24	1031813	37000	83.5	2.00	75.68	51.68	79.18	55.18	5.81	2.69	13.03	24.48
2-1/2 x 24	1031831	60000	149	2.50	79.18	55.18	83.18	59.18	6.49	3.12	13.76	24.60
2-3/4 x 24	1031859	75000	174	2.75	81.34	57.34	85.84	61.84	7.00	3.25	15.09	24.65

5:1 Design Factor. Proof Load is 2.5 times the Working Load Limit.*Mechanical galvanized



Fatigue Rated

APPLICATION AND WARNING INFORMATION
CROSBY CATALOG

HG-226 Metric Specifications & Dimensions

Thread Dia. & Take Up (in)	Stock No.	Working Load Limit (t)	Weight Each (kg)	Dimensions (mm)								
				A	J Open	K Closed	M Open	N Closed	R	S	X Closed	BB
* 5/16 x 4-1/2	1031270	.36	.22	7.94	354	239	368	253	24.1	11.2	55.8	116
* 3/8 x 6	1031298	.54	.34	9.53	446	294	463	311	28.7	13.5	62.9	155
1/2 x 6	1031314	1.00	.78	12.7	506	354	529	376	35.8	18.0	90.4	153
1/2 x 12	1031350	1.00	1.19	12.7	819	514	841	536	35.8	18.0	89.9	314
5/8 x 6	1031378	1.59	1.25	15.9	552	399	577	425	45.7	22.4	110	153
5/8 x 12	1031412	1.59	1.87	15.9	865	560	891	586	45.7	22.4	110	315
3/4 x 6	1031430	2.36	1.91	19.1	590	438	622	470	53.1	25.4	130	156
3/4 x 12	1031476	2.36	2.78	19.1	905	600	937	632	53.1	25.4	129	320
3/4 x 18	1031494	2.36	3.55	19.1	1210	753	1242	785	53.1	25.4	130	471
7/8 x 12	1031519	3.27	4.01	22.2	932	627	970	665	60.5	31.8	147	309
7/8 x 18	1031537	3.27	5.22	22.2	1249	792	1287	830	60.5	31.8	147	473
1 x 6	1031555	4.54	4.36	25.4	666	514	711	559	76.2	36.3	165	157
1 x 12	1031573	4.54	5.88	25.4	971	666	1016	711	76.2	36.3	165	309
1 x 18	1031591	4.54	7.40	25.4	1276	819	1321	864	76.2	36.3	165	462
1 x 24	1031617	4.54	9.14	25.4	1596	987	1641	1031	76.2	36.3	164	631
1-1/4 x 12	1031635	6.89	9.01	31.8	1070	766	1127	822	91.2	46.2	216	306
1-1/4 x 18	1031653	6.89	10.8	31.8	1375	918	1432	975	91.2	46.2	216	459
1-1/4 x 24	1031671	6.89	12.6	31.8	1694	1085	1751	1141	91.2	46.2	216	625
1-1/2 x 12	1031699	9.71	13.0	38.1	1124	819	1187	882	104	53.8	240	313
1-1/2 x 18	1031715	9.71	15.4	38.1	1428	971	1492	1035	104	53.8	240	465
1-1/2 x 24	1031733	9.71	17.9	38.1	1749	1139	1813	1203	104	53.8	240	633
1-3/4 x 18	1031779	12.7	23.0	44.5	1457	1000	1534	1076	118	60.5	253	467
1-3/4 x 24	1031797	12.7	26.4	44.5	1762	1153	1838	1229	118	60.5	253	619
2 x 24	1031813	16.8	37.9	50.8	1922	1313	2011	1402	148	68.3	331	622
2-1/2 x 24	1031831	27.2	67.4	63.5	2011	1402	2113	1503	165	79.2	350	625
2-3/4 x 24	1031859	34.0	79.1	69.9	2066	1456	2180	1571	178	82.6	383	626

5:1 Design Factor. Proof Load is 2.5 times the Working Load Limit.*Mechanical galvanized

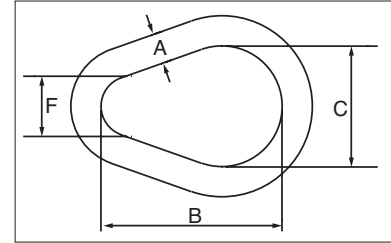
Crosby A-341 Alloy Pear Shaped Links



A-341 Alloy Pear Shaped Link

Features

- Alloy steel — Quenched & Tempered.
- Individually Proof Tested at 2 times Working Load Limit with certification.
- Sizes up to 2” are forged.



A-341 Imperial Specifications & Dimensions

Size (A) (in)	Stock No	Working Load Limit		Weight Each (lb)	Dimensions (in)		
		lb	t		B	C	F
1/2	1013575	7000	3.15	.55	3.00	2.00	1.00
5/8	1013584	9000	4.09	1.10	3.75	2.50	1.25
3/4	1013595	12300	5.59	1.76	4.50	3.00	1.50
7/8	1013604	15000	6.81	2.82	5.25	3.50	1.75
1	1013613	24360	11.0	4.22	6.00	4.00	2.00
1 1/8	1013622	30600	13.9	6.25	6.50	4.50	2.25
1 1/4	1013631	36000	16.4	8.25	7.75	5.00	2.50
1 3/8	1013640	43000	19.5	11.25	8.25	5.50	2.75
1 1/2	1013654	54300	24.7	14.25	9.00	6.00	3.00
1 3/4	1013672	84900	38.6	22.50	10.50	7.00	3.50
2	1013690	102600	46.6	34.00	12.00	8.00	4.00
†† 2 1/2	1013703	147300	66.9	66.00	15.00	10.00	5.00
†† 2 3/4	1013712	216900	98.6	88.00	16.50	11.00	5.50
†† 3	1013721	228000	103	114.00	18.00	12.00	6.00
†† 4	1013748	373000	169	271.00	24.00	16.00	8.00

5:1 Design Factor. Based on single leg sling (in-line load), or resultant load on multiple legs with an included angle less than or equal to 120°. †† Welded Link.

A-341 Metric Specifications & Dimensions

Size (A) (mm)	Stock No	Working Load Limit		Weight Each (kg)	Dimensions (mm)		
		t	lb		B	C	F
13	1013575	3.15	7000	.25	76.2	50.8	25.4
16	1013584	4.09	9000	.50	95.3	63.5	31.8
19	1013595	5.59	12300	.80	114	76.2	38.1
22	1013604	6.81	15000	1.28	133	88.9	44.5
25	1013613	11.0	24360	1.91	152	102	51.0
28	1013622	13.9	30600	2.83	171	114	57.0
32	1013631	16.4	36000	3.74	191	127	63.5
35	1013640	19.5	43000	5.10	210	140	70.0
38	1013654	24.7	54300	6.46	229	152	76.0
44	1013672	38.6	84900	10.2	267	178	89.0
51	1013690	46.6	102600	15.4	305	203	102
†† 64	1013703	66.9	147300	29.9	381	254	127
†† 70	1013712	98.6	216900	39.9	419	279	140
†† 76	1013721	103	228000	52	457	305	152
†† 102	1013748	169	373000	123	610	406	203

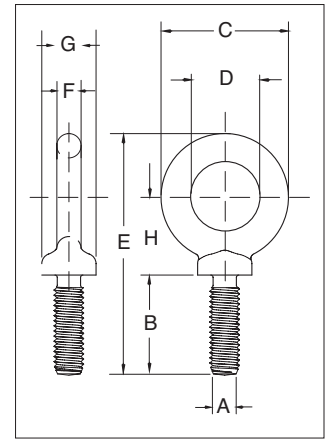
Crosby S-279/M-279 UNC Shoulder Type Machinery Eye Bolts



S-279/M2-79 UNC Shoulder Type Machinery Eye Bolt

Features

- Forged steel - Quenched & Tempered.
- Working Load Limits shown are for in-line pull. For angle loading, see Warnings & Applications.
- Fatigue rated at 1-1/2 times the Working Load Limit at 20,000 cycles.
- Recommended for in-line pull.
- S-279 threaded UNC.
- M-279 metric threaded.
- Meets or exceeds all requirements of ASME B30.26 including identification, ductility, design factor, proof load and temperature requirements. Importantly, these bolts meet other critical performance requirements including fatigue life, impact properties and material traceability, not addressed by ASME B30.26.



S-279 Imperial Specifications & Dimensions

Size (in)	Stock No.	Working Load Limit (lb)	Weight Per 100 (lb)	Dimensions (in)							
				A* Thread	B	C	D	E	F	G	H
3/8 x 1-1/4	9900208	1550	15.00	3/8-16	1.27	1.62	1.00	3.07	.31	.69	1.05
1/2 x 1-1/2	9900217	2600	28.00	1/2-13	1.53	1.95	1.19	3.70	.38	.91	1.27
5/8 x 1-3/4	9900226	5200	55.00	5/8-11	1.79	2.38	1.38	4.45	.50	1.13	1.53
3/4 x 2	9900235	7200	96.00	3/4-10	2.05	2.76	1.50	5.07	.63	1.38	1.71
7/8 x 2-1/4	9900244	10600	154.00	7/8-9	2.31	3.25	1.75	5.87	.75	1.56	2.00
1 x 2-1/2	9900253	13300	238.00	1-8	2.57	3.76	2.00	6.66	.88	1.81	2.30
1-1/8 x 2-3/4	9900257	15000	320.00	1-1/8-7	2.75	4.19	2.25	7.20	.97	2.06	2.35
1-1/4 x 3	9900262	21000	399.00	1-1/4-7	3.09	4.50	2.50	7.95	1.00	2.28	2.73
1-1/2 x 3-1/2	9900271	24000	720.00	1-1/2-6	3.60	5.50	3.00	9.49	1.25	2.75	3.28
1-3/4 x 3-3/4	9900280	34000	1040.00	1-3/4-5	3.75	6.26	3.50	10.48	1.38	3.00	3.60
2 x 4	9900289	42000	1880.00	2-4-1/2	4.00	7.62	4.00	12.31	1.81	3.38	4.50
2-1/2 x 5	9900298	65000	3250.00	2-1/2-4	5.00	8.76	4.50	14.88	2.12	4.25	5.50

5:1 Design Factor. Maximum Proof Load is 2 times the Working Load Limit. *All bolts threaded UNC.

M-279 Metric Specifications & Dimensions



Size (mm)	Stock No.	Working Load Limit (kg)	Weight Each (kg)	Dimensions (mm)							
				A* Thread	B	C	D	E	F	G	H
M6 x 13	1045753	200	.03	M6 x 1.0	13.0	28.7	19.1	47.0	4.9	13.5	19.6
M8 x 13	1045789	400	.05	M8 x 1.25	13.0	35.1	22.4	54.6	6.4	15.0	24.1
M10 x 17	1045833	640	.07	M10 x 1.5	17.0	41.1	25.4	64.3	7.9	17.5	26.5
M12 x 20.5	1045869	1000	.11	M12 x 1.75	20.5	49.5	30.2	77.7	9.7	23.1	32.8
M16 x 27	1045913	1800	.25	M16 x 2.0	27.0	60.5	35.1	96.0	12.7	28.7	38.9
M20 x 30	1045995	2500	.42	M20 x 2.5	30.0	70.0	38.1	108	16.0	35.1	43.4
M24 x 36	1046029	4000	1.05	M24 x 3.0	36.0	95.5	51.0	142	22.4	46.0	58.4
M27 x 69.8	1046038	5000	1.42	M27 x 3.0	69.8	107	57.1	183	24.6	52.3	59.7
M30 x 45	1046075	6000	1.77	M30 x 3.5	45.0	114	63.5	171	25.4	58.0	69.3
M36 x 54	1046109	8500	3.12	M36 x 4.0	54.0	140	76.0	207	31.8	70.0	83.3
M42 x 95.2	1046118	14000	4.58	M42 x 4.5	95.2	159	88.9	266	35.0	76.2	91.4
M48 x 102	1046127	17300	8.71	M48 x 5.0	102	194	101	313	46.0	85.9	114
M64 x 127	1046136	29500	14.74	M64 x 6.0	127	223	114	378	53.8	108	140

5:1 Design Factor. Maximum Proof Load is 2 times the Working Load Limit. *All bolts threaded UNC.

Crosby G-450 Wire Rope Clips

Features



G-450 Wire Rope Clip

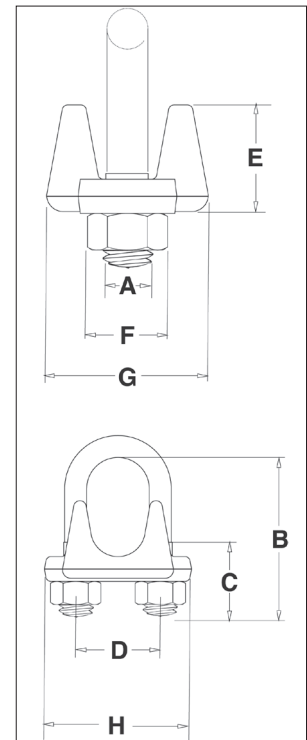
- Each base has a Product Identification Code (PIC) for material traceability, the name Crosby or “CG,” and a size forged into it.
- Based on the catalog breaking strength of wire rope, Crosby wire rope clips have an efficiency rating of 80% for 1/8” through 7/8” sizes, and 90% for sizes 1” through 3-1/2”.
- Entire clip is galvanized to resist corrosive and rusting action.
- Sizes 1/8” through 2-1/2” and 3” have forged bases.
- All clips are individually bagged or tagged with proper application instructions and warning information.
- Clip sizes up through 1-1/2” have rolled threads.
- Meets or exceeds all requirements of ASME B30.26 including identification, ductility, design factor, proof load and temperature requirements. Importantly, these wire rope clips meet other critical performance requirements, including fatigue life, impact properties, and material traceability not addressed by ASME B30.26.

G-450 Imperial Specifications & Dimensions

Rope Size (in)	Stock No.	Std. Package Qty.	Weight Per 100 (lb)	Dimensions (in)							
				A	B	C	D	E	F	G	H
1/8	1010015	100	6	.22	.72	.44	.47	.37	.38	.81	.99
3/16*	1010033	100	10	.25	.97	.56	.59	.50	.44	.94	1.18
1/4	1010051	100	19	.31	1.03	.50	.75	.66	.56	1.19	1.43
5/16	1010079	100	28	.38	1.38	.75	.88	.73	.69	1.31	1.66
3/8	1010097	100	48	.44	1.50	.75	1.00	.91	.75	1.63	1.94
7/16 - 1/2	1010131	50	80	.50	1.88	1.00	1.19	1.13	.88	1.91	2.28
9/16 - 5/8	1010177	50	110	.56	2.25	1.25	1.31	1.34	.94	2.06	2.50
3/4	1010195	25	142	.62	2.75	1.44	1.50	1.39	1.06	2.25	2.84
7/8	1010211	25	212	.75	3.12	1.62	1.75	1.58	1.25	2.44	3.16
1	1010239	10	252	.75	3.50	1.81	1.88	1.77	1.25	2.63	3.47
1-1/8	1010257	10	283	.75	3.88	2.00	2.00	1.91	1.25	2.81	3.59
1-1/4	1010275	10	438	.88	4.44	2.22	2.34	2.17	1.44	3.13	4.13
1-3/8	1010293	10	442	.88	4.44	2.22	2.34	2.31	1.44	3.13	4.19
1-1/2	1010319	10	544	.88	4.94	2.38	2.59	2.44	1.44	3.41	4.44
1-5/8	1010337	Bulk	704	1.00	5.31	2.62	2.75	2.66	1.63	3.63	4.75
1-3/4	1010355	Bulk	934	1.13	5.75	2.75	3.06	2.92	1.81	3.81	5.24
2	1010373	Bulk	1300	1.25	6.44	3.00	3.38	3.03	2.00	4.44	5.88
2-1/4	1010391	Bulk	1600	1.25	7.13	3.19	3.88	3.19	2.00	4.56	6.38
2-1/2	1010417	Bulk	1900	1.25	7.69	3.44	4.13	3.69	2.00	4.69	6.63
** 2-3/4	1010435	Bulk	2300	1.25	8.31	3.56	4.38	4.88	2.00	5.00	6.88
3	1010453	Bulk	3100	1.50	9.19	3.88	4.75	4.44	2.38	5.31	7.61
** 3-1/2	1010426	Bulk	4000	1.50	10.75	4.50	5.50	6.00	2.38	6.19	8.38

*Electro-plated U-Bolt and Nuts. ** 2-3/4” and 3-1/2” base is made of cast steel.

APPLICATION AND WARNING INFORMATION
CROSBY CATALOG



G-450 Metric Specifications & Dimensions

Rope Size (mm)	Stock No.	Std. Package Qty.	Weight Per 100 (kg)	Dimensions (mm)							
				A	B	C	D	E	F	G	H
3-4*	1010015	100	2.72	5.60	18.3	11.2	11.9	10.4	9.65	20.6	23.9
5*	1010033	100	4.54	6.35	24.6	14.2	15.0	12.7	11.2	23.9	29.5
6-7	1010051	100	8.62	7.85	26.2	12.7	19.1	16.8	14.2	30.2	36.6
8	1010079	100	12.7	9.65	35.1	19.1	22.4	18.3	17.5	33.3	42.9
9-10	1010097	100	21.8	11.2	38.1	19.1	25.4	23.1	19.1	41.4	49.3
11-13	1010131	50	80	.50	1.88	1.00	1.19	1.13	.88	1.91	2.28
14-16	1010177	50	110	.56	2.25	1.25	1.31	1.34	.94	2.06	2.50
18-20	1010195	25	64	15.7	70.0	36.6	38.1	35.8	26.9	57.0	72.0
22	1010211	25	96	19.1	79.0	41.1	44.5	40.4	31.8	62.0	80.5
24-26	1010239	10	114	19.1	89.0	46.0	47.8	45.2	31.8	67.0	88.0
28-30	1010257	10	128	19.1	98.5	51.0	51.0	48.5	31.8	71.5	91.0
32-34	1010275	10	199	22.4	108	54.0	59.4	55.5	36.6	79.5	105
36	1010293	10	200	22.4	118	58.5	59.4	58.5	36.6	79.5	106
38	1010319	10	247	22.4	125	60.5	66.5	62.0	36.6	86.5	113
41-42	1010337	Bulk	319	25.4	135	66.5	70.0	67.5	41.4	92.0	121
44-46	1010355	Bulk	424	28.7	146	70.0	77.5	74.5	46.0	97.0	134
48-52	1010373	Bulk	590	31.8	164	76.0	86.0	77.0	51.0	113	149
56-58	1010391	Bulk	726	31.8	181	81.0	98.5	81.0	51.0	114	162
62-65	1010417	Bulk	862	31.8	195	87.5	105	93.5	51.0	119	168
** 68-72	1010435	Bulk	1043	31.8	211	90.5	111	124	51.0	127	175
75-78	1010453	Bulk	1406	38.1	233	98.5	121	119	60.5	149	194
** 85-90	1010426	Bulk	1814	38.1	273	114	140	152	60.5	157	213

Peerless 6/0 Studio Chain



Features

- Theater chain with low gloss black finish
- Used for hanging stationary lights, fixtures and/or battens
- Compatible with standard 1/4" chain hardware
- PSC & USA hallmark is stamped on every 11 links of chain
- Not approved for overhead lifting
- Made in the USA

6/0 Studio Chain

6/0 Studio Chain Imperial Specifications & Dimensions

Stock #	Finish	Trade Size (in)	Wire Diameter (in)	Inside Link Dimensions		Quantity (per/ package)	Net Weight (lb)	Working Load Limit (lb)
				Length (in)	Width (in)			
5032066	Black	6/0	0.28	1.50	0.45	1000 ft/drum	620	2,000
5032062	Black	6/0	0.28	1.50	0.45	100 ft/carton	62	2,000
5032060	Black	6/0	0.28	1.50	0.45	50 ft/carton	31	2,000
5032003	Black	6/0	0.28	1.50	0.45	250 - 3 ft pieces/drum	443	2,000

6/0 Studio Chain Metric Specifications & Dimensions

Stock #	Finish	Trade Size (in)	Wire Diameter (mm)	Inside Link Dimensions		Quantity (per/ package)	Net Weight (kg)	Working Load Limit (kg)
				Length (mm)	Width (mm)			
5032066	Black	6/0	7	38	11	1000 ft/drum	281	907
5032062	Black	6/0	7	38	11	100 ft/carton	28	907
5032060	Black	6/0	7	38	11	50 ft/carton	14	907
5032003	Black	6/0	7	38	11	250 - 3 ft pieces/drum	201	907

Users must comply with all local, state, and federal regulations pertaining to overhead lifting requirements. DO NOT exceed the working load limit.

Peerless 7mm Entertainment Rigging Chain



Features

- Readily compatible with standard 1/4" chain hardware
- Alloy steel material with 0.27" diameter and 3,250 pound working load limit
- Heat treated with each link proof tested to ensure weld & material integrity
- A6 and traceability code every 10 links and TC on the back of each link
- Manufactured and tested in accordance with ASTM A413
- Black TRAC® finish
- Made in the USA

7mm Entertainment Rigging Chain

7mm Entertainment Rigging Chain Imperial Specifications & Dimensions

Stock #	Chain Size (mm)	Wire Diameter (in)	Inside Link Dimensions		Quantity (per package)	Net Weight (lb)	Working Load Limit (lb)
			Length (in)	Width (in)			
8611517	7	0.27	1.24	0.49	800 ft/drum	516	3,250
8612646	7	0.27	1.24	0.49	100 ft/drum	65	3,250

7mm Entertainment Rigging Chain Metric Specifications & Dimensions

Stock #	Chain Size (mm)	Wire Diameter (mm)	Inside Link Dimensions		Quantity (per package)	Net Weight (kg)	Working Load Limit (kg)
			Length (mm)	Width (mm)			
8611517	7	6.8	31	12	800 ft/drum	234	1,474
8612646	7	6.8	31	12	100 ft/drum	29	1,474

Peerless Trac Chain®



Features

- Ideal for: Entertainment rigging applications where bridle adjustability is required
- Super Strength: Grade 80 alloy material with 1/2" diameter and 6 ton working load limit
- Easy Identification: PTC8 hallmark on every 5 links & USA on the back of each link
- Proof Tested: Each link proof tested to assure weld and material integrity
- Heat Treated: Alloy steel material provides long life. 4:1 Design Factor
- Low gloss black finish
- Made in the USA

Trac Chain®

Trac Chain® Imperial Specifications & Dimensions

Stock # Bulk	Chain Size (in)	Wire Diameter (in)	Inside Link Dimensions		Quantity (per package)	Net Weight (lb)	Working Load Limit (lb)
			Length (in)	Width (in)			
5058051	1/2	0.53	3.74	0.92	100 ft/drum	200	12,000
5058052	1/2	0.53	3.74	0.92	250 ft/drum	500	12,000
5058053	1/2	0.53	3.74	0.92	500 ft/pallet box	1000	12,000

Stock # Tagged Assembly	Chain Size (in)	Length* (ft)	Net Weight (lb)	Quantity (per drum)
5058003	1/2	3	6.3	20
5058004	1/2	4	8.1	15
5058005	1/2	5	10.6	15
5058006	1/2	6	12.5	10
5058007	1/2	7	14.3	10
5058008	1/2	8	16.2	8
5058009	1/2	9	18.1	7

*Custom lengths available.

Trac Chain™ Metric Specifications & Dimensions

Stock # Bulk	Chain Size (mm)	Wire Diameter (mm)	Inside Link Dimensions		Quantity (per package)	Net Weight (kg)	Working Load Limit (kg)
			Length (mm)	Width (mm)			
5058051	13	14	95	23	100 ft/drum	91	5,443
5058052	13	14	95	23	250 ft/drum	227	5,443
5058053	13	14	95	23	500 ft/pallet box	454	5,443

Stock # Tagged Assembly	Chain Size (mm)	Length* (ft)	Net Weight (kg)	Quantity (per drum)
5058003	13	3	2.9	20
5058004	13	4	3.7	15
5058005	13	5	4.8	15
5058006	13	6	5.7	10
5058007	13	7	6.5	10
5058008	13	8	7.3	8
5058009	13	9	8.2	7

*Custom lengths available.



KITO®

Crosby®

HARRINGTON®
HOISTS AND CRANES



GUNNEBO®
Industries



PEERLESS®

Please contact your local sales representative
for more information on products & training.

kitocrosby.com/entertainment