

# **ER2 Cylinder Control Electric Chain Hoist**

**(125 kg & 250 kg)**

---

## **SUPPLEMENTARY OWNER'S MANUAL**

**Hook Suspension: ER2C**

**With Plain Trolley:  
ER2CSP**

## Introduction

The Cylinder Control Electric Chain Hoist is best-suited for the operation of traveling a smaller load over a shorter path by operating the grip of the cylinder control integrated with the bottom hook attaching to the end of the load chain. Before use, please read and comply with the instructions in this Owner's Manual.

## Safety Precautions

### CAUTION



- This Owner's Manual describes specific information regarding the Cylinder Control Electric Chain Hoist (125kg & 250kg). Before use, read and comply with both the ER2 Series Electric Chain Hoist (125kg to 5t) Owner's Manual and this manual.
- At the time of unpackage, make records of the Product (serial) No. and the specific for upcoming inspection with reference to the ER2 Series Electric Chain Hoist (125kg to 5t) Owner's Manual.

## Product Specifications & Operating Conditions

### ■ Product Specifications

Short time rating: 60 minutes for single speed, 30/10 minutes for dual speed

Percent ED: 60%ED for single speed, 40/20%ED for dual speed

Class: Class: Single speed model : M5 Dual speed VFD model (high speed / low speed) : M6

Protection class: IP44

Standard Lift: 1.8m

The product specifications other than listed above is the same as a standard hoist. Please refer to the section of "Product Specifications" in "ER2 Series Electric Chain Hoist (125kg to 5t) Owner's Manual" (separate volume).

For the operating conditions, please also refer to the ER2 Series Electric Chain Hoist (125kg to 5t) Owner's Manual, and for the dimensions, refer to the Appendix in this manual.

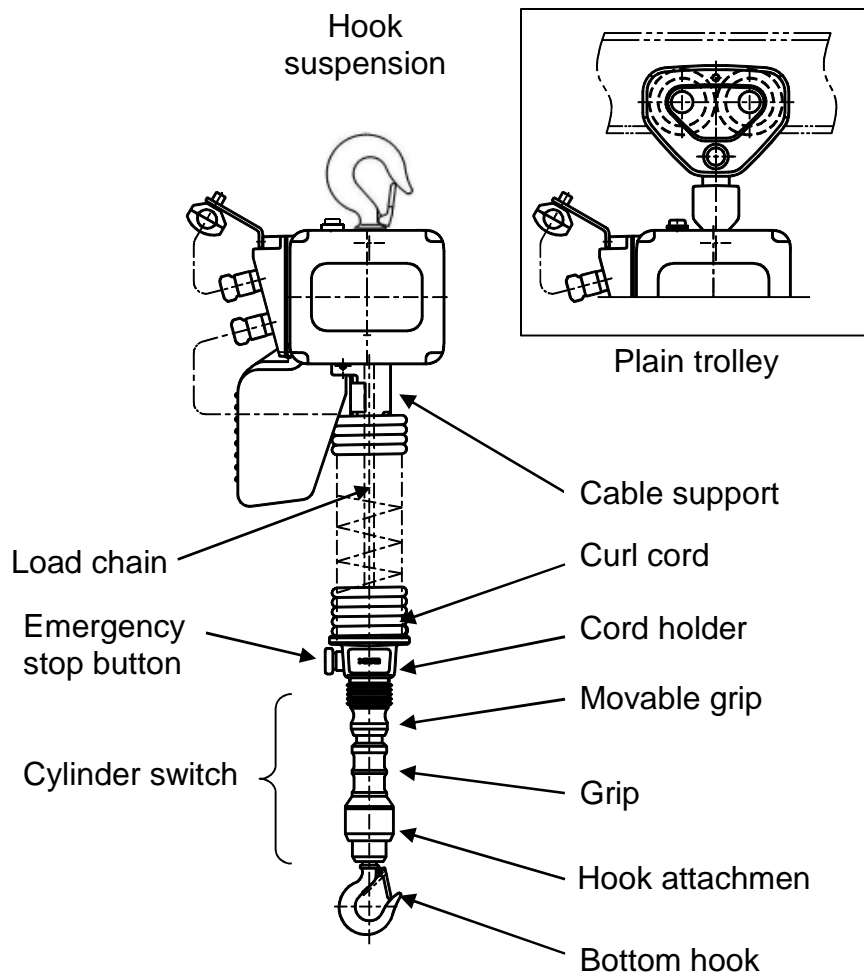
### CAUTION



As the precision parts are inside the cylinder switch, do not use the hoist under an environment where a lot of oil, dust or moisture are present. Always keep the switch clean with a periodical check.  
Failure to follow this precaution may cause mal-function, serious injury or property damage.

Rated load	Product code				
	Hoist body	Hook suspension		With plain trolley	
		Single speed	Dual speed inverter	Single speed	Dual speed inverter
125 kg	ER2-B	ER2C001H	ER2C001IH	ER2CSP001H	ER2CSP001IH
250 kg		ER2C003S	ER2C003IS	ER2CSP003IS	ER2CSP003IS

## Configurations & Name

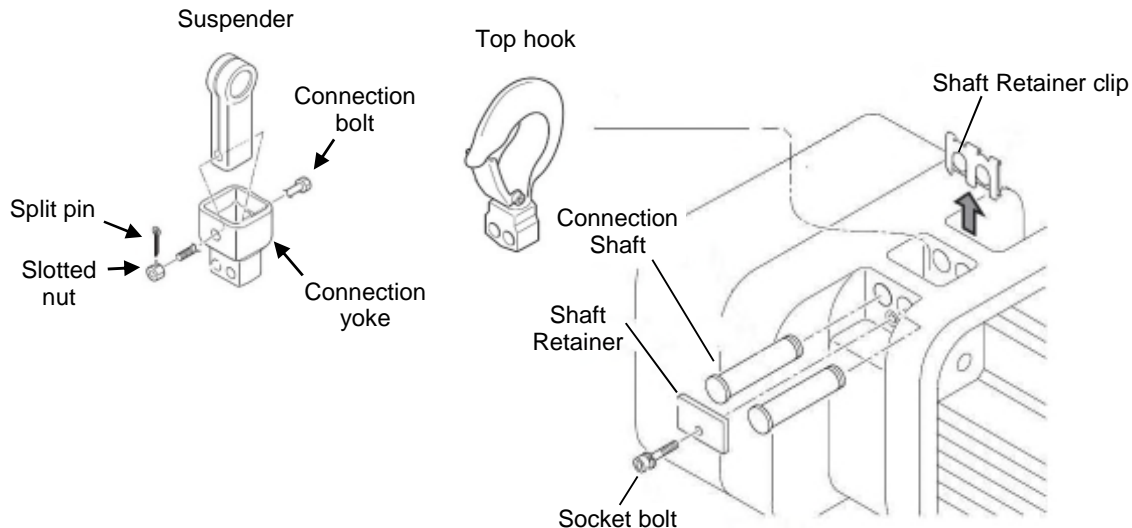


## Assembly

When some parts may not be pre-installed depending on the specifications of your order, please properly attach them in accordance with the following instructions.

### ■ Attachment of Top Hook (or Suspender)

- 1) Remove the Shaft Retainer Clip using plier.
- 2) Remove Socket Bolt from the Shaft Retainer, and remove the Shaft Retainer.
- 3) Remove two Connection Shafts.
- 4) Remove the Top Hook and replace it with the Connection Yoke.
- 5) Insert two Connection Shafts into the hole of the Body size.
- 6) Mount the Shaft Retainer with Socket Bolt.



### ■ Attachment of Stopper & Cushion Rubber

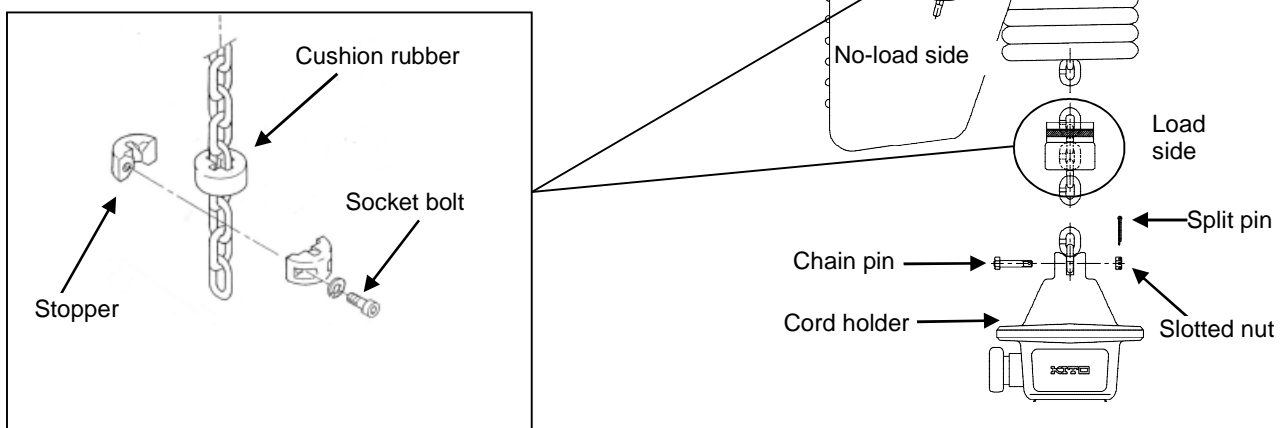
Insert the load chain into the cushion rubber at both chain ends and then fix the stopper at the following chain link with the socket bolts.

On the load side, 32<sup>nd</sup> link from the end of the load chain

On the no-load side, 3<sup>rd</sup> link from the end of the load chain

### ■ Attachment of Cylinder Switch to Load Chain

Attach the load chain to the cylinder switch on the top of the cord holder with the chain pin, slotted nut, and split pin.



## DANGER



Make sure that the split pin is securely bent.  
Make sure that the stopper and cushion rubber are attached to the correct chain link.  
Failure to follow these precautions may cause serious accidents leading to serious or even fatal injury.

## Operations

### ■ Lifting and Lowering Load

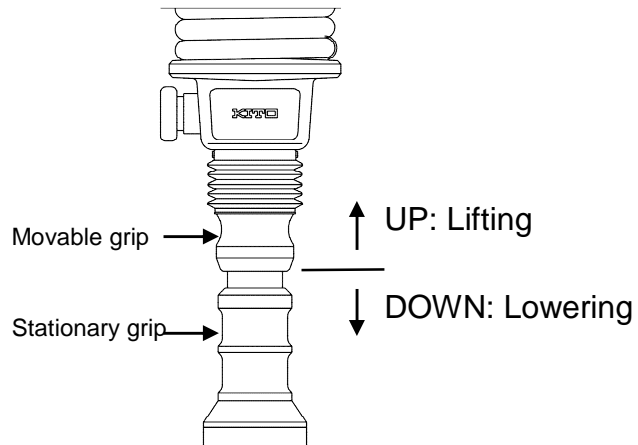
While holding the stationary grip of the cylinder switch, move the movable grip of the switch up and down by using the thumb and index finger.

To lift, move up the movable grip.

To lower: move down the movable grip



(How to hold the grip)



Cylinder switch

### ■ Shifting Speed (Dual-speed Inverter)

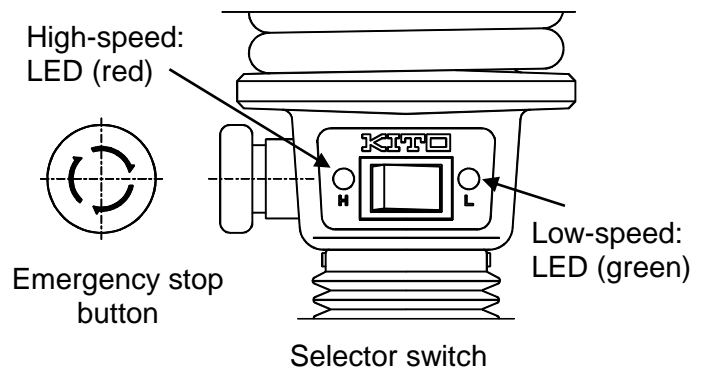
The selector switch can shift the speed between high and low in the dual speed inverter hoist.

#### Low-speed

Pressing the selector switch to the right sets the low-speed to turn on the green lamp (LED).

#### High-speed

Pressing the selector switch to the left sets the high-speed to turn on the red lamp (LED).



Cord holder

### ■ Emergency Stop

In case of equipment failure and other unexpected danger, the emergency stop can stop lifting or lowering operation.

To make emergency stop, press the red button on the side of the cord holder.

To release emergency stop, turn the pressed button to the right (in the arrowed direction as shown above)

### ■ Resetting Inverter (for Dual-speed Inverter hoist)

In dual-speed inverter hoist, overload or overcurrent may trip the inverter. In the case of the inverter being tripped, press the emergency stop button to reset the inverter because the emergency stop also brings the inverter to a reset

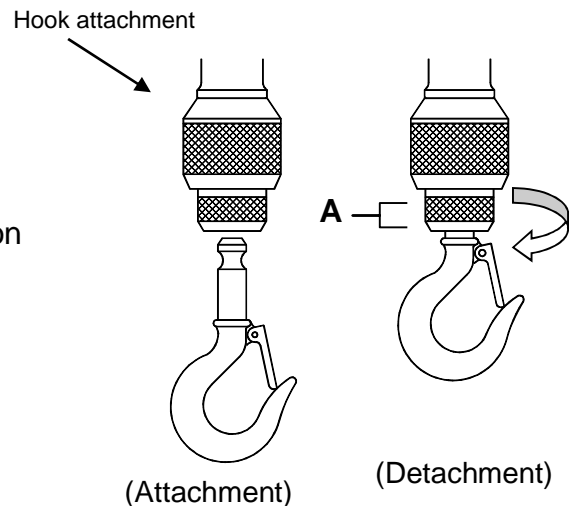
## ■ Attaching & Detaching Bottom Hook

### To attach

Insert the bottom hook into the underside of the hook attachment.

### To detach

Turn the section A to the left as shown in the picture on the right.



## ■ Adjustable Speeds of Dual-speed Inverter

In the dual-speed inverter, the low and high speeds can be adjustable by changing the inverter parameters. Make sure that these parameters are properly set in accordance with the KITO ER2 Series Electric Chain Hoist (125kg to 5t) Owner's Manual as well as the KITO ER2 Series Electric Chain Hoist (125kg to 5t) Inverter Manual.

### **DANGER**



- Do not make excessive operations (inching, plucking), which may cause failure.
- Do not stop moving a suspended load by pressing the emergency stop button while the hoist is in the normal operation.
- Do not handle the hook attachment while a load is suspended. (Do not detach the bottom hook.)
- After the bottom hook is attached, make sure that the hook does not come off from the hook attachment.

Failure to follow these precautions may cause serious accidents leading to serious or even fatal injury.

## Daily Inspection

### DANGER



**Perform daily inspection before use.**

(In case that an irregular arises during the inspection, de-energize the main power, post a notice of out-of-order and request maintenance personnel for repair.)

Failure to perform daily inspection may cause serious accidents leading to serious or even fatal injury.

For the inspection items other than the followings, refer to the KITO ER2 Series Electric Chain Hoist (125kg to 5t) Owner's Manual.

Item	Method	Criteria	Action
Appearance	Visual	(1) Should be no adverse scar, crack, or damage on each section of the cylinder switch.	Replace damaged parts.
		(2) Should be no adverse scar or crack on the curl cord.	
		(3) The curl cord should not drop off.	Securely fix the curl cord using a binding band.
		(4) The warning label should not peel.	Replace the warning label or securely stick it.
		(5) Should be no loose or missing bolt, nut, split pin, hook attachment, or bottom hook. (The bottom hook does not come off even by pulling it lightly.)	Secure them.
		(6) Should be no dirt or foreign substance on the cylinder switch.	Clean it.
Cylinder switch operation	Operation	(1) The movable grip should properly move	Contact your dealer or KITO for consultation.
		(2) The hoist should smoothly operate without an intermittent move.	
		(3) Should be not abnormal sound or vibration.	
		(4) The selector switch should make a smooth shift in speed.	

## Periodic Inspection

### ■ Monthly Inspection / Annual Inspection

### DANGER



**After completion of monthly or annual inspection, make sure that the hoist properly works by performing functional check and test.**

Failure to perform monthly inspection may cause serious accidents leading to serious or even fatal injury.

### Notice

At the time of monthly or annual inspection, also perform daily inspection.

For the inspection items other than the followings, refer to the KITO ER2 Series Electric Chain Hoist (125kg to 5t) Owner's Manual for the items corresponding to your hoist capacity.

#### ● Chain pin

Item	Method	Criteria	Action
Deformation, scar, wear	Visual Measured by using a slide caliper	Should be no remarkable deformation or scar. The amount of wear on engagement with the load chain should not exceed 5%.	Replace the chain pin.

#### ● Cylinder switch

Item	Method	Criteria	Action
Plate screw	Visual check Fastening	Should neither loose nor missing. The hook attachment should not rotate. (Should be no significant gap between the grip and the hook attachment.)	Securely fasten the plate screw.

The diagram shows a cross-section of the cylinder switch mechanism. At the top, there is a 'Grip' with a 'Plate screw' passing through it. Below the grip is the 'Hook attachment'. An arrow labeled 'Gap' points to the space between the bottom of the grip and the top of the hook attachment.

### Troubleshooting

For the inspection items other than the followings, refer to the KITO ER2 Series Electric Chain Hoist (125kg to 5t) Owner's Manual for the items corresponding to your hoist capacity.

#### ● Cylinder switch

Symptom	Failure section	Main cause	Remedy
Hoist will not operate even by using the movable grip.	Failure of switches inside the cylinder	(1) Dust or foreign substance inside the cylinder (2) Electric leakage or rust caused by water inside switches (3) Service life of contact in internal switches exceeded Micro switch service life Mechanical: 1,000,000 times Electrical: 30,000 times (4) Damage caused by excessive operation	Replace damaged parts. Cleaning
Hoist will operate in a direction different from the movable grip motion	Mal-wiring	-	Rewire properly in accordance with the wiring diagram. (Refer to pages 11 and 12.)



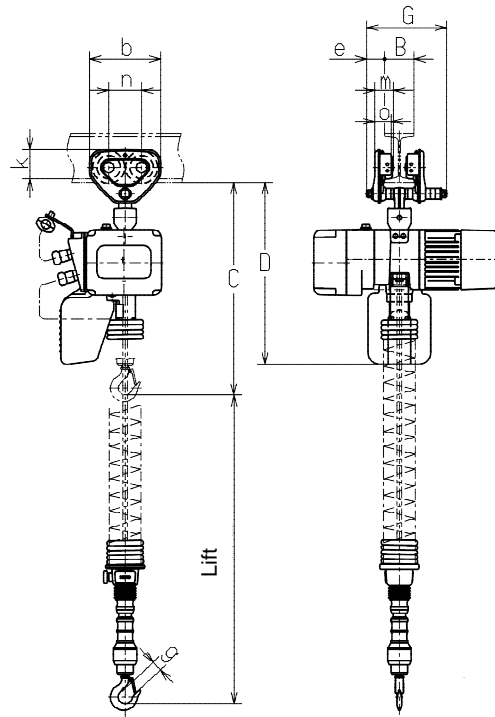


■ With Plain Trolley Suspension

[Specifications]

Capacity (kg)	Product code	Hoist body	Standard lift (m)	Lifting motor		Lifting speed (m/s)		Applicable beam width B (mm)	Min. radius curve (mm)	Load chain Diameter (mm) × Chain falls	Class	*Weight (kg)	Additional weight per 1m lift (kg)	
				Output (kW)	Rating %ED	50Hz	60Hz							
125	ER2CSP001H	B	1.8	0.56	60	-	0.235	0.282	[50] 75 100	1100	4.3 x 1	M5	34	0.42
250	ER2CSP003S						0.152	0.182					M6	
125	ER2CSP001IH			0.56	40/20	Preset	0.277	0.0461				33		
250	ER2CSP003IS					Adjustable	0.277	0.0231					33	
						Preset	0.179	0.0299						
							Adjustable	0.179	0.0150					

\* Weight is for 1.8m lift.



[Dimensions (mm)]

Capacity (kg)	Product code	Minimum headroom C	D	a	b	e	g	h	i	j	k	m	n	o	p	q	r	t
125	ER2CSP001H	1050	470	204	182	46	27	82	60	21	76	47.5	84	42	10	54	38	22
250	ER2CSP003S																	
125	ER2CSP001IH																	
250	ER2CSP003IS																	







**KITO**  
Global Website: [kito.com](http://kito.com)