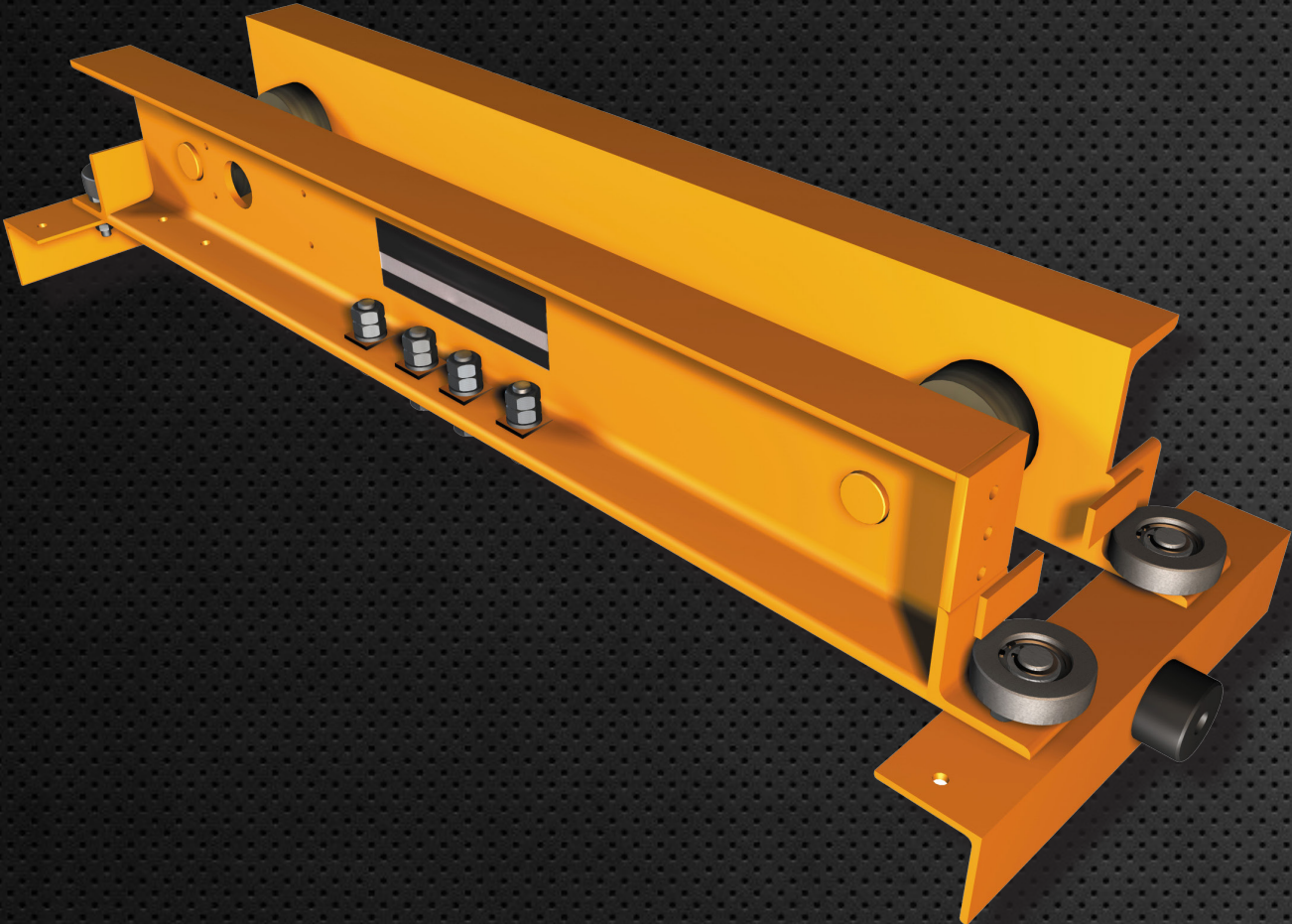


KITO

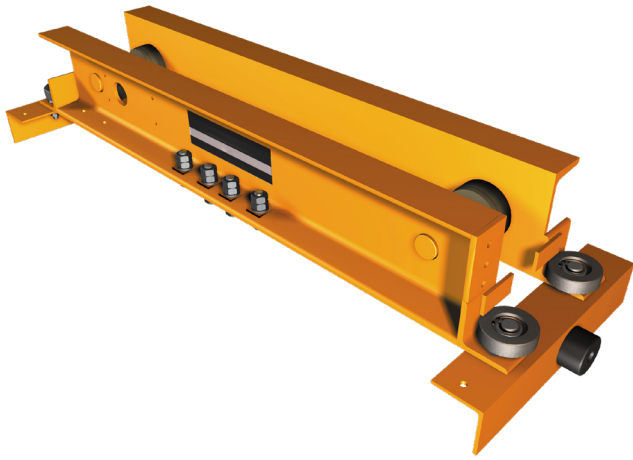


HPC

CONVERTIBLE END TRUCKS

All the right moves.

The HPC's smooth-running end trucks with durable structural steel frames and ductile iron wheels give you the freedom to safely move your load where you need it. The end trucks can also be easily installed above or below the beam applications to give you room to accommodate most existing crane systems.



① Easily Configurable

Fully machined structural steel frames on HPC convertible push end trucks can be assembled for either top-running or light- to medium-duty underhung applications.

② Standard Safety Features

For added safety, HPC end trucks come standard with drop stops and rail sweeps for continued safety along the beam. Rubber bumpers are designed to prevent travel off the end of the beam.

③ Quick All-Bolt Assembly

For quick and easy assembly, HPC end trucks are engineered with bolts. All-bolt construction lets you configure your end trucks for your specific requirements.

④ Structural Steel Frames

The HPC frame is fabricated from structural steel for optimal strength.

⑤ Precision Machined Wheels

The wheels on the HPC are ductile iron and precision machined to roll smoothly on either flate or tapered flange beams.

All other specifications, dimensions, and drawings are available at www.kito.ca
Please call **1 888 322 KITO (5486)** for more information or assistance

WESTERN CANADA

309-3815 1ST AVE
BURNABY, BC
V5C 3V6

KITO

EASTERN CANADA

4-3660 ODYSSEY DR
MISSISSAUGA, ON
L5M 0Y9

HPC Convertible End Trucks