

---

# OWNER'S MANUAL SUPPLEMENT

---

## **ELECTRIC CHAIN HOIST FER2 / FMR2 / FTS2 FOOD GRADE MODEL**

1/2 tonne through 2 tonne Capacities

Code, Lot and Serial Number

### **⚠ WARNING**

This equipment should not be installed, operated or maintained by any person who has not read and understood all the contents of this manual. Failure to read and comply with the contents of this manual can result in serious bodily injury or death, and/or property damage.

# **KITO**

## Important Information On How To Use This Manual

This OWNER'S MANUAL SUPPLEMENT for Food Grade Hoists is intended for use *in combination* with:

**ER2 Series Electric Chain Hoist (125kg to 5t) Owner's Manual**

**TS2 Series Plain and Geared Trolley Owner's Manual and Safety Instructions**

**ER2 Series Electric Chain Hoist (125kg to 5t) Parts List**

**MR2 Series Motorized Trolley (125kg to 5t) Parts List**

Refer to the Main Table of Contents below to determine the location(s) of information pertaining to your hoist.

References to the Owner's Manuals listed above will be designated by the acronym "ER2OM", "TS2OM".

## Contents

1.0	Conformance Clarification Statement.....	3
2.0	FER2 Electric Chain Hoist.....	4
2.6	FER2 Parts List.....	8
3.0	FMR2 Motorized Trolley.....	11
3.3	FMR2 Parts List.....	12
4.0	FTS2 Manual Trolley.....	13
4.3	FTS2 Parts List.....	14
5.0	Warranty.....	15

## 1.0 Conformance Clarification Statement

### 1.1 Food Grade Options

#### NOTICE

KITO FER2 Food Grade hoists are designed for applications which require food grade hoists. All products should be tested for suitability on a particular application prior to actual use. The Canadian Food Inspection Agency places the burden of compliance with the owner/employer, not the manufacturer. It is the owner and user's responsibility to determine the suitability of a product for any particular use. It is recommended that all applicable industry, trade association, federal, provincial and local regulations be checked. Read all operating instructions and warnings before operation.

### 1.2 Standard Product Features and Benefits

- White epoxy painted hoist body, trolley, and suspender
- Nickel-plated load chain
- Corrosion resistant load hook kit - stainless steel load hook, stainless steel rubber cushion (0.5t & 1t), nickel plated stopper (0.5t & 1t), stainless steel chain spring & limiting plate (2t)
- Stainless steel and nickel-plated hardware
- The formulation of NEVASTANE HT/AW WHITE greases complies with the FDA chapter 21 CFR, 178.3570.
- The formulation of NEVASTANE XSH oils complies with the FDA chapter 21 CFR, 178.3570.
- ASME H4 classification

### 1.3 Optional Product Features and Benefits

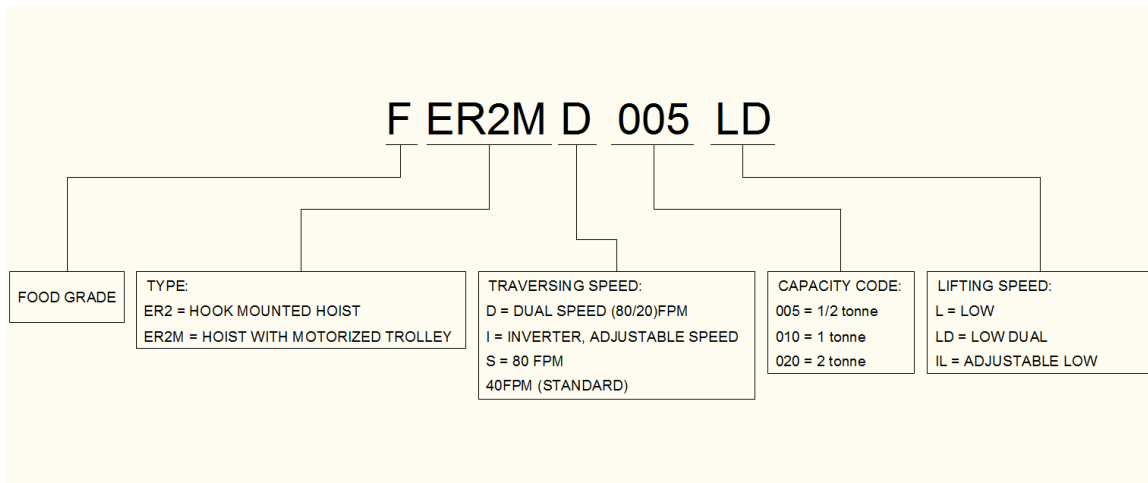
- Corrosion resistant trolley kit - stainless steel trolley wheels, stainless steel guide rollers, nickel plated suspender, nickel plated suspension shaft
- Stainless steel, plastic or canvas chain container
- Epoxy painted load hook
- Pendant Cover

## 2.0 FER2 Electric Chain Hoist

For information such as Safety Precautions, Installation, Operation, Inspection, Maintenance and Troubleshooting for the FER2 electric hoist and FMR2 motorized trolley, please read: **“ER2 Series Electric Chain Hoist (125kg to 5t) Owner’s Manual”**.

### 2.1 Specifications

#### 2.1.1 Product code for hoist with motorized trolley



#### 2.1.2 Operating Conditions and Environment

Temperature range: -20° to +40°C

Humidity: 85% or less

Noise Level: 85 dB or less (A scale: measured 1 meter away from electric chain hoist)

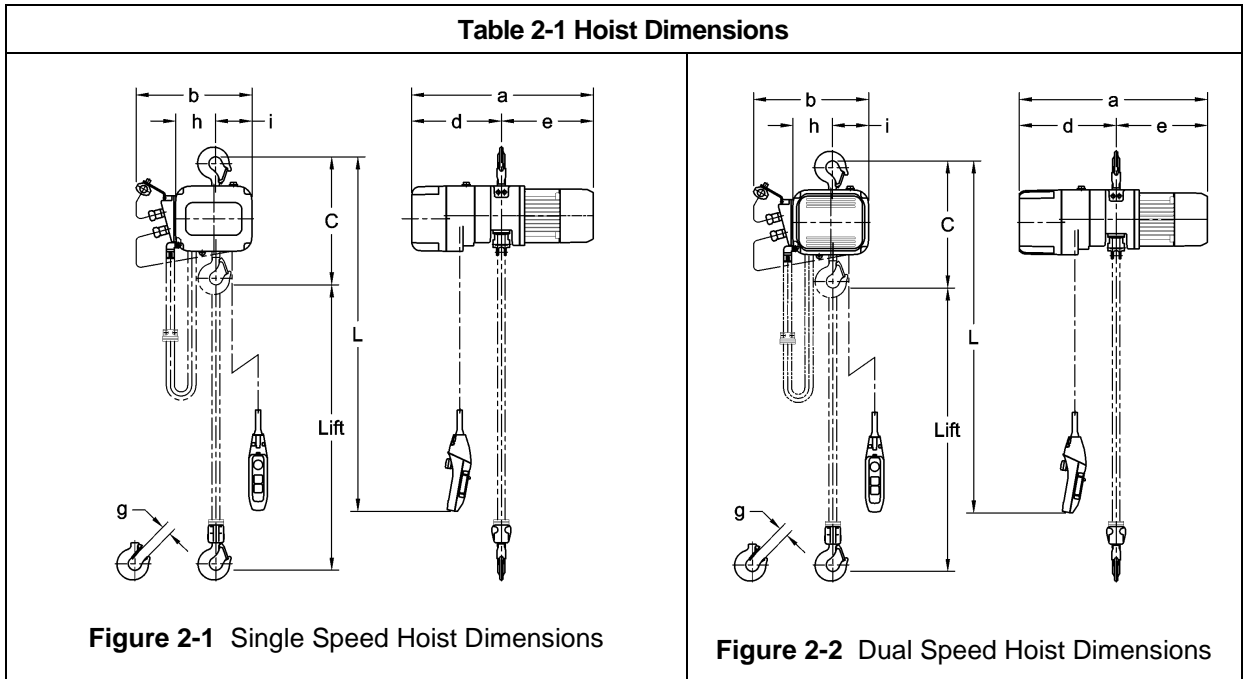
Enclosure Rating: Hoist Meets IP 55

Supply Voltage: Single Speed: 575V, re-connectable (220/440V)

Dual Speed: 575V (contactor driven)

Inverter: 220V or 440V (adjustable 2-speed)

## 2.2 Dimensions



	Capacity tonne	Product Code	Headroom C (in)	Headroom w/Stainless Hook C (in)	a (in)	b (in)	d (in)	e (in)	g (in)	g w/Stainless Hook (in)	h (in)	i (in)
Single Speed	1/2	FER2005L	14.6	17.7	20.2	13.7	9.5	10.6	1.1	1.2	4.4	4.2
	1	FER2010L	16.9	21.2	23.2	14.8	11.4	11.7	1.2	1.5	5.1	4.6
	2	FER2020L	22.6	23.4	25.4	16.8	12.1	13.3	1.6	1.7	6.3	5.4
Dual Speed	1/2	FER2005LD / IL	14.6	17.7	22.4	13.7	11.8	10.6	1.1	1.2	4.4	4.2
	1	FER2010LD / IL	16.9	21.3	24.1	14.8	12.4	11.7	1.2	1.5	5.1	4.6
	2	FER2020LD / IL	22.6	23.4	27.9	16.8	14.6	13.3	1.6	1.7	6.3	5.4

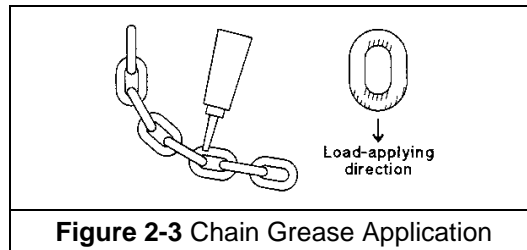
**Table 2-2 Hook Dimensions**

Capacity Code	Hook	a (in)	b (in)	c (in)	d (in)	e (in)	f (in)	g (in)	h (in)
005L 005LD, 005IL	Stainless Load Hook	1.5	0.9	1.2	0.9	1.7	1.8	1.2	4.3
	Epoxy Painted Top / Load Hook	1.1	0.7	0.9	0.7	1.4	1.5	1.1	3.7
010L, 010LD, 010IL	Stainless Load Hook	1.9	1.1	1.6	1.1	2.0	2.2	1.5	5.4
	Epoxy Painted Top / Load Hook	1.5	0.9	1.2	0.9	1.7	1.8	1.2	4.3
020L 020LD, 020IL	Stainless Load Hook	2.2	1.4	1.9	1.4	2.4	2.5	1.7	6.3
	Epoxy Painted Top / Load Hook	2.0	1.3	1.7	1.3	2.1	2.2	1.5	5.7

## 2.3 Lubrication – Load Chain, Hooks and Suspension

### 2.3.1 Load Chain

- For longer life, the load chain should be lubricated.
- The load chain lubrication should be accomplished after cleaning the load chain with an acid free cleaning solution.
- Apply only KITO food grade lubricant (**Part No. 2AFG003S1951**) to the bearing surfaces of the load chain links as indicated by the shaded areas in Figure 2-3. Also apply the lubricant to the areas of the load chain (shaded areas in Figure 6-2) that contact the load sheave. Ensure that the lubricant is applied to the contact areas in the load sheave pockets.



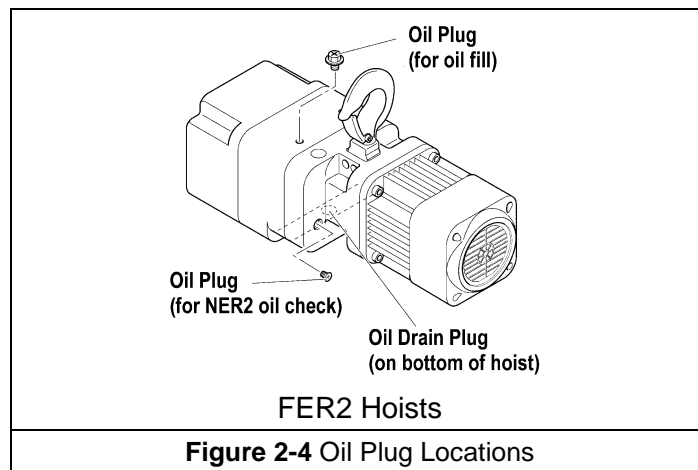
- The load chain should be lubricated every 3 months (more frequently for heavier usage or severe conditions).

### 2.3.2 Hooks and Suspension Components

- Hooks – Bearings should be cleaned and lubricated at least once per year for normal usage. Use only Nevastane HT/AW 2 White Drum food grade lubricating grease. Clean and lubricate more frequently for heavier usage or severe conditions.
- Suspension Pins – Lubricate at least twice per year for normal usage; more frequently for heavier usage or severe conditions.

## 2.4 Lubrication – Gearbox

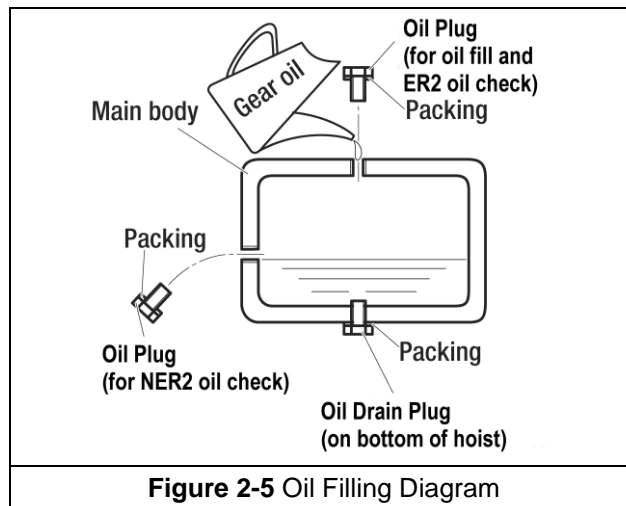
- 2.4.1 **DETERMINING OIL LIFE** - Refer to ER2 Owner's Manual when estimating gear oil life based on operations.
- 2.4.2 **FER2 OIL LEVEL** – The oil level is checked by removing the oil plug on the side of the hoist as shown in Figure 2-4 for FER2 hoists. The oil level should be just below the hole when the hoist is level.



2.4.3 **REPLACING OIL** – Change gear oil at least once every 5 years. The oil should be changed more frequently depending on the hoist's usage and operating environment. See ER2 Owner's manual. Follow the procedure below for replacing the gearbox oil for your hoist:

- To drain the current oil from the hoist, remove “Oil Plug” on top of the hoist and the “Oil Drain plug” on the bottom of the hoist. Allow the old oil to drain completely. Refer to Figure 2-5 for oil plug locations.

- **NOTICE** Dispose of the used oil in accordance with local regulations.



- Ensure that the oil plugs for the oil level check holes and the drain hole are reinstalled and secured into the hoist body.
- Refill the gear case with the correct quantity and type of new oil or until the oil level is within the range shown in Table 2-3.

Table 2-3 Amount of Gear Oil		
Capacity Code	Litres	Quarts
	FER2	FER2
005L	0.54	0.57
010L	0.62	0.66
020L	1.30	1.37

- ⚠ WARNING** Using an incorrect type/grade of gearbox oil or the wrong quantity of oil may prevent the friction clutch from working properly and may affect the ability of the hoist to hold the load. Only lubricants with NSF H1 compliance may be used in food grade hoists. Refer to the following for the correct type of gearbox oil:

**FER2 Gear Oil:**

- KITO standard: Nevastane **XSH320** (manufactured by Total Lubricants)

## 2.5 Load Chain

2.5.1 After chaining a unit, be sure to clean any exposed portions of bottom yoke bolts that have been treated with thread locking compound. Conduct a thorough inspection of these bolts after torquing to ensure there is no excess thread locking compound on the exposed portions. Failure to do so could affect the hoist's compliance with the application's food grade requirements.

## 2.6 FER2 Parts List

If ordering parts, please provide the hoist code number, lot number and serial number located on the hoist nameplate.

### 2.6.1 Body, Gear Case, Motor (refer to ER2 Parts List for complete parts breakdown and diagrams)

Item No.	Part Name	Parts Per Hoist	005L/LD/IL	010L/LD/IL	020L/LD/IL
1	Fan Cover	1	2AFG005L9107	2AFG010L9107	2AFG020L9107
2	Motor Frame With Stator (220/440V)	1	3AFG005L6501	3AFG010L6501	3AFG020L6501
	Motor Frame With Stator (575V)	1 (S)	3AFG005L6501	3AFG010L6501	3AFG020L6501
		1 (D)	3AFG005C6501	3AFG010C6501	3AFG020C6501
3	Body B Assembly	1	3AFG005S6101	3AFG010S6101	3AFG020S6101
4	Gear Case	1	3AFG005S6103	3AFG010S6103	3AFG020L6103
5	Name Plate OF (Correct Oil Required)	1	2AFG003S9845		

\*S = single speed, D = dual speed\*



2.6.2 Hook, Chain, Chain container (refer to ER2 Parts List for complete parts breakdown and diagrams)

Item No.	Part Name	Parts Per Hoist	005L/LD/IL	010L/LD/IL	020L/LD/IL
1	Top Hook Assembly	1	2ASF005S5101	2ASF010S5101	2ASF020S5101
2	Hook Latch SUS	1	2ASF003S1103	2ASF005S1103	2ASF010S1103
3	Suspender E (For Push Trolley) – White Epoxy Paint	1	36FG0059004	36FG0109004	36FG0209004
	Suspender E (For Push Trolley) – Nickel Plated		37FG0059004	37FG0109004	37FG0209004
	Suspender E (For Geared Trolley) – White Epoxy Paint		36FG0109004		36FG0209004
	Suspender E (For Geared Trolley) – Nickel Plated		37FG0109004		37FG0209004
4	Connection Yoke P (For Push Trolley) – White Epoxy Paint	1	2AFG005S9027		2AFG020S9027
5	Connection Yoke G (For Geared Trolley) – White Epoxy Paint	1	2AFG005S9029	2AFG005S9029	2AFG020S9029
6	Yoke Bolt	1	2AFG005S9032		2AFG020S9032
7	Slotted Nut	1	J1NL00910100		J1NL00920160
8	Split Pin	1	J1PW06025018		J1PW06040030
9	Suspender T (For Motorized Trolley) – White Epoxy Paint	1	2AFG010S9031		2AFG020S9031
	Suspender T (For Motorized Trolley) – Nickel Plated		2AFG010S9831		2AFG020S9831
10	Top Pin	2	WR2CS9121		2AFG020S9121
11	Chain Guide A	1	2AFG005S9331	2AFG010S9331	2AFG020S9331
12	Cushion Rubber – Standard	2*	ER1CS9053	ER1DS9053	ER1ES9053
	Cushion Rubber – Stainless Steel	2	27SF005S9117	27SF010S9117	27SF020S9117
13	Stopper Assembly – Standard	1	ER1CS1041	ER1DS1041	ER1ES1041
	Stopper Assembly – Nickel Plated		2AFG005S1041	2AFG010S1041	2AFG020S1041
14	Limiting Plate - Standard	1			ER1ES9054
	Limiting Plate - Stainless Steel				27SF020S9118
15	Chain Spring - Standard	1			ER1DL9051
	Chain Spring - Stainless Steel				2AFG020L9112
16	Bottom Hook Complete Assembly – White Epoxy Paint	1	2AFG005S1011	2AFG010S1011	2AFG020S1011
17	Hook Latch SUS (epoxy hook)	1	2ASF003S1103	2ASF005S1103	2ASF010S1103
18	Bottom Hook Complete Assembly – Stainless Steel	1**	2ASF005S5211	2ASF010S5211	2ASF020S5211
19	Hook Latch SUS (SUS hook)	1	2ASF005S1103	2ASF010S1103	2ASF020S1103
20	Plastic Chain Container Assembly (Max. Lifting Height 13ft)	1			BP2-E2-FG
	Plastic Chain Container Assembly (Max. Lifting Height 20ft)		BP2-C2-FG	BP2-D2-FG	
21	Canvas Chain Container Assembly (Max. Lift Height 50ft)	1	BC2-C2-FG		
	Canvas Chain Container Assembly (Max. Lift Height 60ft)				BC2-E2-FG
22	NP Load Chain	1	KFER2060	KFER2077	KFER2102
23	Lubricant Spray (chain)	1	2AFG003S1951		
24	Stainless Steel Chain Container Assembly – maximum 20 ft. lift	1			7042204
	Stainless Steel Chain Container Assembly – maximum 23 ft. lift		7042201		
	Stainless Steel Chain Container Assembly – maximum 26 ft. lift			7042203	
	Stainless Steel Chain Container Assembly – maximum 39 ft. lift				7042206
	Stainless Steel Chain Container Assembly – maximum 49 ft. lift		7042202	7042205	

\* 1 required for 2t hoist

\*\*Extra stopper assembly & rubber cushion used with stainless steel bottom hook.

2.6.3 Electric Component (refer to ER2 Parts List for complete parts breakdown and diagrams)

Item No.	Part Name	Parts Per Hoist		005L/LD/IL	010L/LD/IL	020L/LD/IL
1	Controller Cover (Single Speed)		1	2AFG005S9104	2AFG010S9104	2AFG020S9104
2	Controller Cover Assembly (Inverter)	220V	1	2AFG005I2104	2AFG010I2104	2AFG020I2104
		440V		2AFG005I1104	2AFG010I1104	2AFG020I1104
3	Controller Cover (Dual Speed )	575V	1	2AFG005S9104	2AFG010S9104	2AFG020S9104
4	Resistor Cover		1	2AFG005I9185	2AFG010I9185	2AFG020I9185

2.6.4 Power Supply, Pendant (refer to ER2 Parts List for complete parts breakdown and diagrams)

Item No.	Part Name	Parts Per Hoist		005L/LD/IL	010L/LD/IL	020L/LD/IL
1	Socket Frame Complete Assembly	S	1 (220/440/575V)	2AFG005S2513		2AFG020S2513
		I	1 (220/440V)	2AFG005I2513	2AFG010I2513	2AFG020I2513
		D	1 (575V)	2AFG005B2513		2AFG020B2513
2	Socket Frame		1	2AFG005S9511		

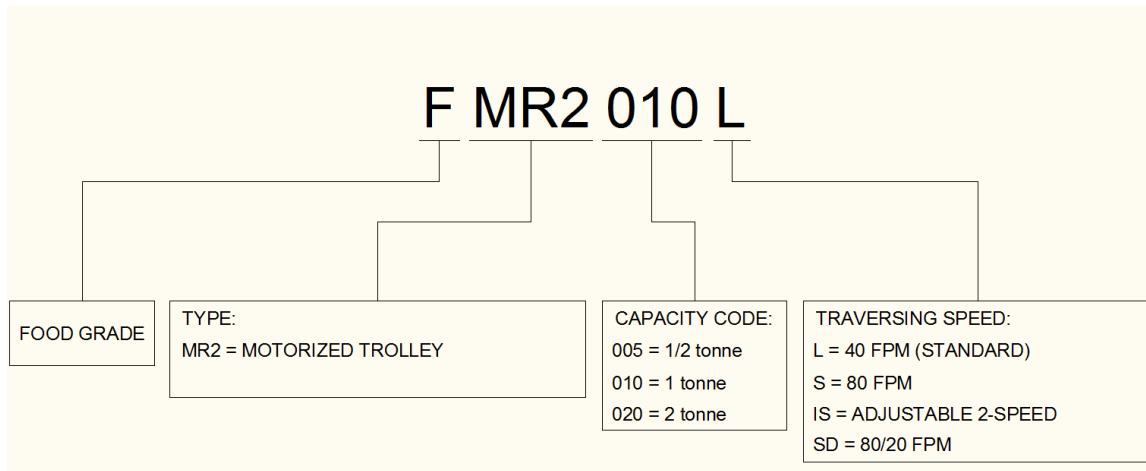
\* S = single speed, I = inverter, D = dual speed\*

## 3.0 FMR2 Motorized Trolley

For information such as Safety Precautions, Installation, Operation, Inspection, Maintenance and Troubleshooting for the FMR2 motorized trolley, please read: **“ER2 Series Electric Chain Hoist (125kg to 5t) Owner’s Manual”**.

### 3.1 Specifications

3.1.1 Product code for motorized trolley only:



3.1.2 Operating Conditions and Environment

- Temperature Range: -20° to +40°C
- Humidity: 85% or less (no condensation)
- Noise Level: 85 dB or less (A scale: measured 1 meter away from the electric chain hoist)
- Enclosure Rating: Trolley Meets IP55, Pendant Meets IP65
- Supply Voltage: Single Speed: 575V, re-connectable (220/440V)  
Dual Speed: 575V (contactor driven)  
Inverter: 220V or 440V (adjustable 2-speed)

### 3.2 Trolley Lubrication

- 3.2.1 Lubricate the following trolley components with only Nevastane HT/AW 2 White Drum food grade lubricating grease.
- 3.2.2 Track Wheel Gear – Clean and re-grease the Track Wheel gears and motor output pinion every three months (more frequently for heavier usage or severe conditions). Do not use an excessive amount of grease and avoid getting any grease on the running surfaces of the Track Wheels or the beam.
- 3.2.3 Gear Box – The reduction gearing in the motor should be cleaned and lubricated at least once per year for normal usage. Clean and lubricate the reduction gear assembly more frequently for heavier usage or severe conditions. Gain access to the gears by removing the four bolts that mount the motor assembly to the trolley Side Plate. Make sure to properly orient and reuse the neoprene gasket between the motor and Side Plate.
- 3.2.4 Suspension Pins, Bolts and Shafts – Grease at least twice per year for normal usage (more frequently for heavier usage or severe conditions).

### 3.3 FMR2 Parts List

If ordering parts, please provide the hoist model number, lot number and serial number located on the hoist nameplate.

#### 3.3.1 Frame, Wheel, Suspension shaft, Motor (refer to MR2 Parts List for complete parts breakdown and diagrams)

Item No.	Part Name	Parts Per Trolley	005L/S/IS/SD	010L/S/IS/SD	020L/S/IS/SD
1	Side Plate G Assembly – Standard Wheels	1	3AFG010S5201		3AFG020S5201
	Side Plate G Assembly – Stainless Steel Wheels		3AFG010S5801		3AFG020S5801
2	Track Wheel G Assembly – Stainless Steel	2	35MW010S101		35MW020S101
3	Snap Ring – Stainless Steel	2	J1SS10000015		J1SS10000020
4	Guide Roller Assembly – Stainless Steel	4	3AFG010S2211		3AFG020S2211
5	Side Plate S Assembly – Standard Wheels	1	3AFG010S5202		3AFG020S5202
	Side Plate S Assembly – Stainless Steel Wheels		3AFG010S5802		3AFG020S5802
6	Track Wheel S Assembly – Stainless Steel	2	35MW010S102		35MW020S102
7	Snap Ring – Stainless Steel	2	J1SS10000015		J1SS10000020
8	Suspension Shaft Assembly – Standard	1	3AFG010S2101		3AFG020S2101
9	Suspension Shaft Assembly – Nickel Plated	1	3AFG010S3101		3AFG020S3101
10	Extension Shaft Assembly - Standard	1	37FG010S1121		37FG020S1121
11	Extension Shaft Assembly – Nickel Plated	1	37FG010S3121		37FG020S3121
12	Spring Washer	8	J1WS07420080		J1WS07420100
13	Nut	8	J1NA00920080		J1NA00920100
14	Bumper	4	MR1DS9631		
15	Drop Stop	4	3AFG010S9361		3AFG020S9361
16	Spring Washer	4	J1WS07420080		
17	Nut	4	J1NA00920080		
18	Bolt	8	J1BAEB0803535		J1BAEB1004526
19	Square Spacer	4	MS006010		MS006020
20	Connection Box	1	3AFG010S9401		
21	Connection Box Cover	1	3AFG010S9411		
22	Motor Cover Assembly	1	3AFG010S1301		
23	Motor Frame with Stator (220/440V)	1	3AFG010S1321		
	Motor Frame with Stator (575V)	1 (S)	3AFG010S2321		
		1 (D)	3AFG010B2321		

\*S = single speed, D = dual speed\*

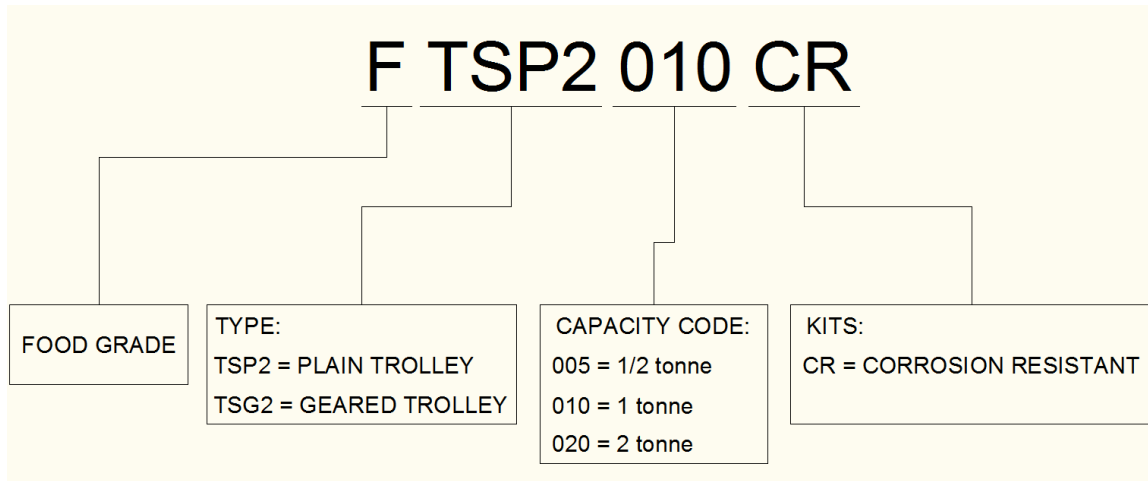
## 4.0 FTS2 Manual Trolley

For information such as Safety Precautions, Installation, Operation, Inspection and Maintenance for the FTSP2 or FTSG2 plain or geared trolley, please read:

**“TS Series Plain and Geared Trolley Owner’s Manual and Safety Instructions”**

### 4.1 Specifications

4.1.1 Product code for manual trolley only:



4.1.2 Operating Conditions and Environment

Temperature Range: -20° to +40°C

Humidity: 85% or less (no condensation)

### 4.2 Trolley Lubrication

4.2.1 Lubricate the following trolley components with only Nevastane HT/AW 2 White Drum food grade lubricating grease.

4.2.2 Track Wheel Gear – Clean and re-grease the Track Wheel gears and Hand Wheel output pinion every three months (more frequently for heavier use). Do not use an excessive amount of grease and avoid getting any grease on the running surfaces of the Track Wheels or the beam.

4.2.3 Trolley Wheel Bearings do not need to be lubricated and must be replaced if worn or damaged.

4.2.4 Suspension Pins, Bolts, and Shafts – Grease at least twice per year for normal usage (more frequently for heavier usage or severe conditions).

### 4.3 FTS2 Parts List

If ordering parts, please provide type of trolley (plain or geared), model number and capacity located on the trolley nameplate.

#### 4.3.1 Plain Trolley Parts (refer to TS2 Parts List for complete parts breakdown and diagrams)

Item No.	Part Name	Parts Per Trolley	0.5t	1t	2t
1	Side Plate S Assembly – Standard Wheels	2	37FG0055112	37FG0105112	37FG0205112
2	Side Plate S Assembly – Stainless Steel Wheels	2	37FG0055812	37FG0105812	37FG0205812
3	Track Wheel S Assembly – Stainless Steel Wheels	4	37TW0055102	37TW0105102	37TW0205102
4	Snap Ring	4		J1SS10000015	J1SS10000020
5	Suspension Shaft Assembly - Standard	1	36FG0051115	36FG0101115	36FG0201115
6	Suspension Shaft Assembly – Nickel Plated	1	37FG0051115	37FG0101115	37FG0201115
7	Suspender E – White Epoxy Paint	1	36FG0059004	36FG0109004	36FG0209004
8	Suspender E – Nickel Plated	1	37FG0059004	37FG0109004	37FG0209004
9	Extension Shaft Assembly - Standard	1	36FG0051136 (4-8")	36FG0101136 (5-8")	
10	Extension Shaft Assembly - Standard	1	36FG0051181 (8-12")	36FG0101181 (8-12")	36FG0201181 (6-12")
11	Extension Shaft Assembly – Nickel Plated	1	37FG0051136 (4-8")	37FG0101136 (5-8")	
12	Extension Shaft Assembly – Nickel Plated	1	37FG0051181 (8-12")	37FG0101181 (8-12")	37FG0201181 (6-12")

#### 4.3.2 Geared Trolley Parts (refer to TS2 Parts List for complete parts breakdown and diagrams)

Item No.	Part Name	Parts Per Trolley	0.5t	1t	2t
1	Side Plate S Assembly – Standard Wheels	1	37FG0105112		37FG0205112
2	Side Plate S Assembly – Stainless Steel Wheels	1	37FG0105812		37FG0205812
3	Track Wheel S Assembly – Stainless Steel Wheels	2	37TW0105102		37TW0205102
4	Snap Ring	4	J1SS10000015		J1SS10000020
5	Track Wheel G Assembly – Stainless Steel	2	37TW0105101		37TW0205101
6	Side Plate G Assembly – Standard Wheels	1	37FG0105111		37FG0205111
7	Side Plate G Assembly – Stainless Steel Wheels	1	37FG0105811		37FG0205811
8	Hand Chain Guide Assembly	1	37FG0105125		
9	Hand Wheel – White Epoxy Paint	1	37FG0109123		
10	Hand Chain - Stainless	FT	KFHCF050-SS		
11	Hand Chain Master Link	1	C1FA015-9843N		
12	Suspension Shaft Assembly - Standard	1	36FG0101115		36FG0201115
13	Suspension Shaft Assembly – Nickel Plated	1	37FG0101115		37FG0201115
14	Suspender E – White Epoxy Paint	1	36FG0109004		36FG0209004
15	Suspender E – Nickel Plated	1	37FG0109004		37FG0209004
16	Extension Shaft Assembly - Standard	1	36FG0101136 (4-8")		
17	Extension Shaft Assembly - Standard	1	36FG0101181 (8-12")		36FG0201181 (6-12")
18	Extension Shaft Assembly – Nickel Plated	1	37FG0101136 (4-8")		
19	Extension Shaft Assembly – Nickel Plated	1	37FG0101181 (8-12")		37FG0201181 (6-12")

## 5.0 Warranty

All products sold by KITO Canada Inc. are warranted to be free from defects in material and workmanship for the given period of that product, from the date of purchase.

The product must be used in accordance with manufacturer's recommendations and must not have been subject to abuse, lack of maintenance, misuse, negligence, unauthorized repairs or alterations. Should any defect in material or workmanship occur during the time period for any product, as determined by KITO's inspection of the product, KITO agrees, at its discretion, either to replace (not including installation) or repair the part or product free of charge and deliver said item F.O.B. KITO Canada Inc. place of business to customer.

Customer must obtain a Return Goods Authorization (RGA) as directed by KITO Canada Inc. prior to shipping product for warranty evaluation. An explanation of the complaint must accompany the product. Product must be returned freight prepaid. Upon repair, the product will be covered for the remainder of the original warranty period. If it is determined there is no defect, or that the defect resulted from causes not within the scope of KITO's warranty, the customer will be responsible for the costs of returning the product.

KITO Canada Inc. disclaims any and all other warranties of any kind expressed or implied as to the product's merchantability or fitness for a particular application. KITO will not be liable for death, injury to persons or property, or for incidental, contingent, special or consequential damages, loss or expense arising in connection with the use or inability whatever, regardless of whether damage, loss, or expense results from any act or failure to act by KITO, whether negligent or willful, or from any other reason.

# KITO

WEBSITE: [www.kito.ca](http://www.kito.ca)  
E-MAIL: [info@kito.ca](mailto:info@kito.ca)  
TOLL FREE: 1-888-322-KITO (5486)

Kito Canada Inc. West  
309-3815 1<sup>st</sup> Avenue  
Burnaby, BC V5C 3V6  
Phone: 604-291-9955  
Fax: 604-294-8855

Kito Canada Inc. East  
6 -1750 Courtney Park Drive East  
Mississauga, ON L5T 1W1  
Phone: 905-405-0905  
Fax: 905-405-0906